

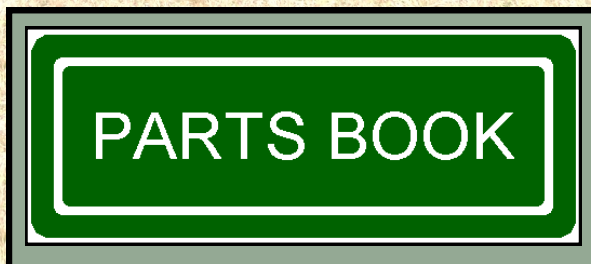


**42-SERIES**



**4250, 4250LP HEAVY DUTY  
POULTRY HOUSE CLEANER  
STANDARD & LOW PROFILE MODELS**

**TO BE USED FOR MACHINES FROM 2015 TO PRESENT**

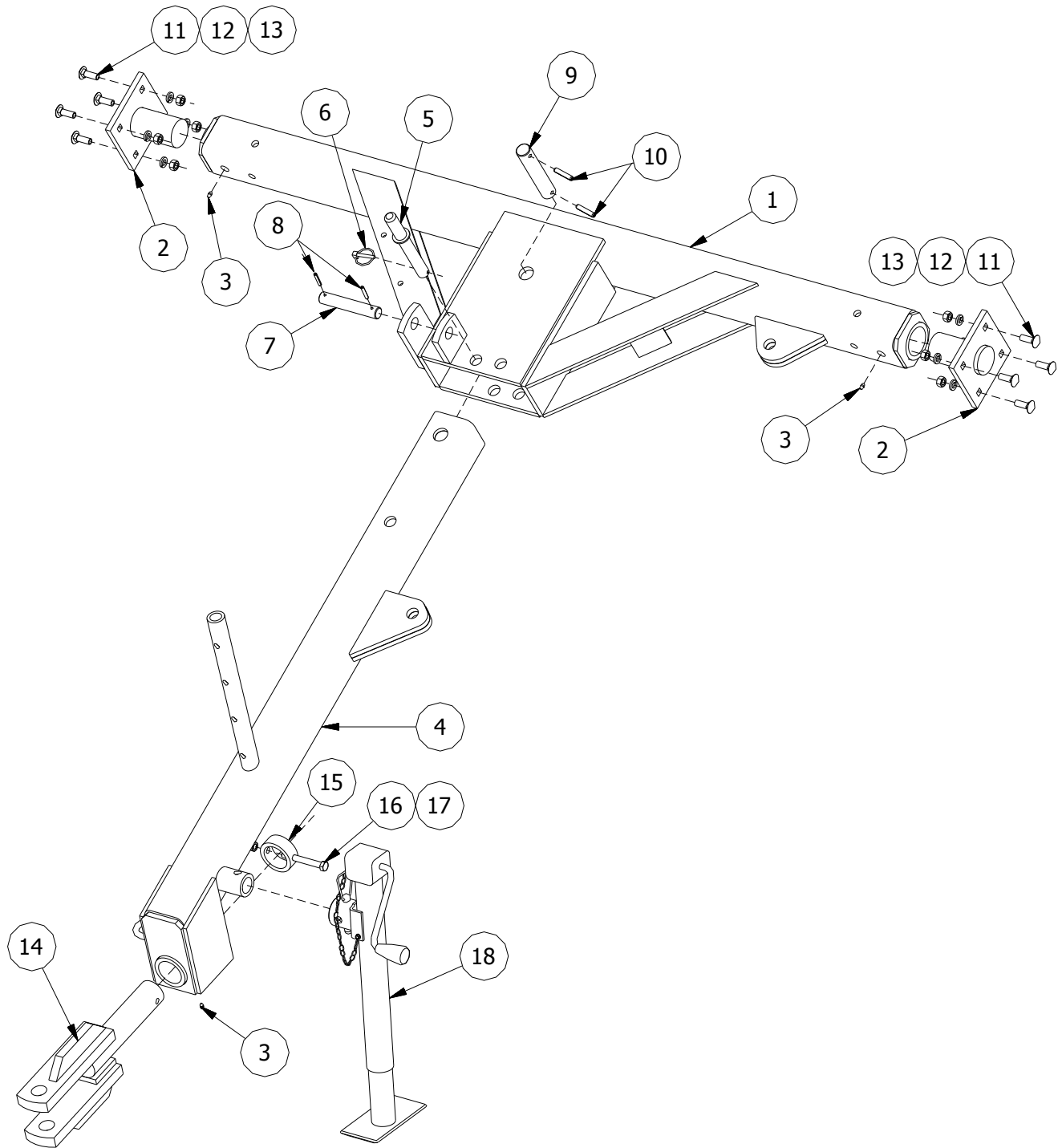


**PART NO. 42-PB-04  
Printing Date DEC 2015**

# TABLE OF CONTENTS

UPPER AND LOWER TONGUE .....	2-3
SAFETY CHAIN.....	3
MANUAL FLOOR CHAIN CONTROLS .....	4
ELECTRICAL FLOOR CHAIN CONTROLS.....	5
2.85 PUMP/GEAR BOX & TORGUE ARM .....	6
CONTROL VALVE.....	6
FRONT COMPONENTS OF CLEANER .....	8
DEPTH CONTROL DEVICE .....	9
FEEDER REELS .....	10
CONVERYOR TROUGH AND IDLER SHAFT.....	11
FEEDER REEL BEARINGS AND DRIVES .....	12-13
CONVEYOR SIFTER FRAME.....	14-15
SIFTER FRAME POLY PANELS .....	16
HOLD DOWN BLOCKS KIT .....	16
BUMP PADS.....	17
LEVELER FRAME .....	18-19
UNLOADER CHAINS AND SHAFTS .....	20
LEVELER FRAME BARS AND CHAIN .....	21-22
REAR TANK .....	22
UNLOADER DRIVES .....	23
REAR TANK DOOR .....	24-25
REAR GUARD.....	26
FRONT LOWER SHIELDS.....	27
FRONT UPPER SHIELDS .....	28
REAR SHIELDS .....	29
TANDEM ARM, 8 PLY & 12 PLY .....	30-31
TANDEM AXLE .....	31
SINGLE WHEEL, 8 PLY & 12 PLY.....	32-33
SINGLE AXLE .....	33
SPREADER FRAME ASSEMBLY.....	34-35
SPREADER V-DIVERTER.....	35
HEAVY DUTY LEVELER MOTOR ( <b>Breakdown</b> ) .....	37
FEEDER REEL MOTOR ( <b>Breakdown</b> ).....	38
UNLOADER REEL MOTOR ( <b>Breakdown</b> ) .....	39
SIFTER MOTOR ( <b>Breakdown</b> ) .....	40
HYDRAULIC CYLINDER, 3 X 6 X 1.25 ( <b>Bailey</b> ) .....	41
HYDRAULIC CYLINDER, 2 X 6 X 1.125 ( <b>Bailey</b> ) .....	41
HYDRAULIC CYLINDER, 2 X 10 X 1.125 ( <b>Bailey</b> ) .....	41
PHC PUMP GEAR BOX ( <b>Breakdown</b> ) .....	42
GEAR PUMP ( <b>Breakdown</b> ).....	43
PTO PUMP HYDRAULICS.....	44
HYDRAULICS FOR MANUAL FLOOR CHAIN CONTROL .....	45
RESERVOIR PLUMBING.....	46-47
FLOW CONTROL & FEEDER REEL MOTOR HYDRAULICS .....	48
HYDRAULIC SCHEMATIC FOR FLOOR CHAIN CONTROL .....	49
SIFTER MOTOR HYDRAULICS .....	50
LEVELER MOTOR HYDRAULICS.....	51
REAR TANK DOOR & PLUMBING .....	52-53
TONGUE CYLINDER AND HOSES .....	53
4250 PLUMBING SCHEMATIC.....	54-55
FLOOR CHAIN CONTROL HARNESS .....	56-57

## UPPER AND LOWER TONGUE

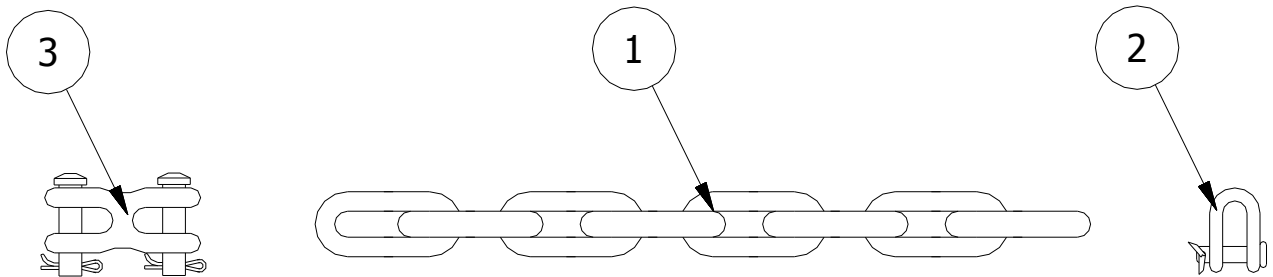


ITEM	PART NO	SERIAL NO OR YR	DESCRIPTION	QTY
1	42-080-171		TONGUE, UPPER	1
2	42-080-172		PIVOT, UPPER TONGUE	2
3	02-050-005		FITTING, 1/4-28 STRT	3
4	42-080-229		TONGUE, LOWER	1
5	42-080-060		PIN, POSITION	1
6	02-050-062		PIN, 1/4 x 1 5/8 LYNCH	1

ITEM	PART NO	SERIAL NO OR YR	DESCRIPTION	QTY
7	21-026-007		PIN, 1" CLEVIS	1
8	02-050-007		PIN, 1/4 X 1 1/2 ROLL	2
9	42-026-004		PIN, SWIVEL	1
10	42-050-010		PIN, 3/8 X 2 ROLL	2
11	52-050140		CARRIAGE SCREW, 1/2 X 1 1/2 G5 PLT	8
12	66-010250		LOCKWASHER, 1/2 PLT	8
13	68-010250		HEX NUT, 1/2 PLT	8
14	42-080-223		SWIVEL, YOKE	1
15	42-024-053		STOP, PIN	1
16	48-090850		CAPSCREW, 1/2 X 4 G5 PLT	1
17	72-010100		LOCKNUT, 1/2 STOVER	1
18	42-050-019		JACK SWIVEL (5000 #)	1

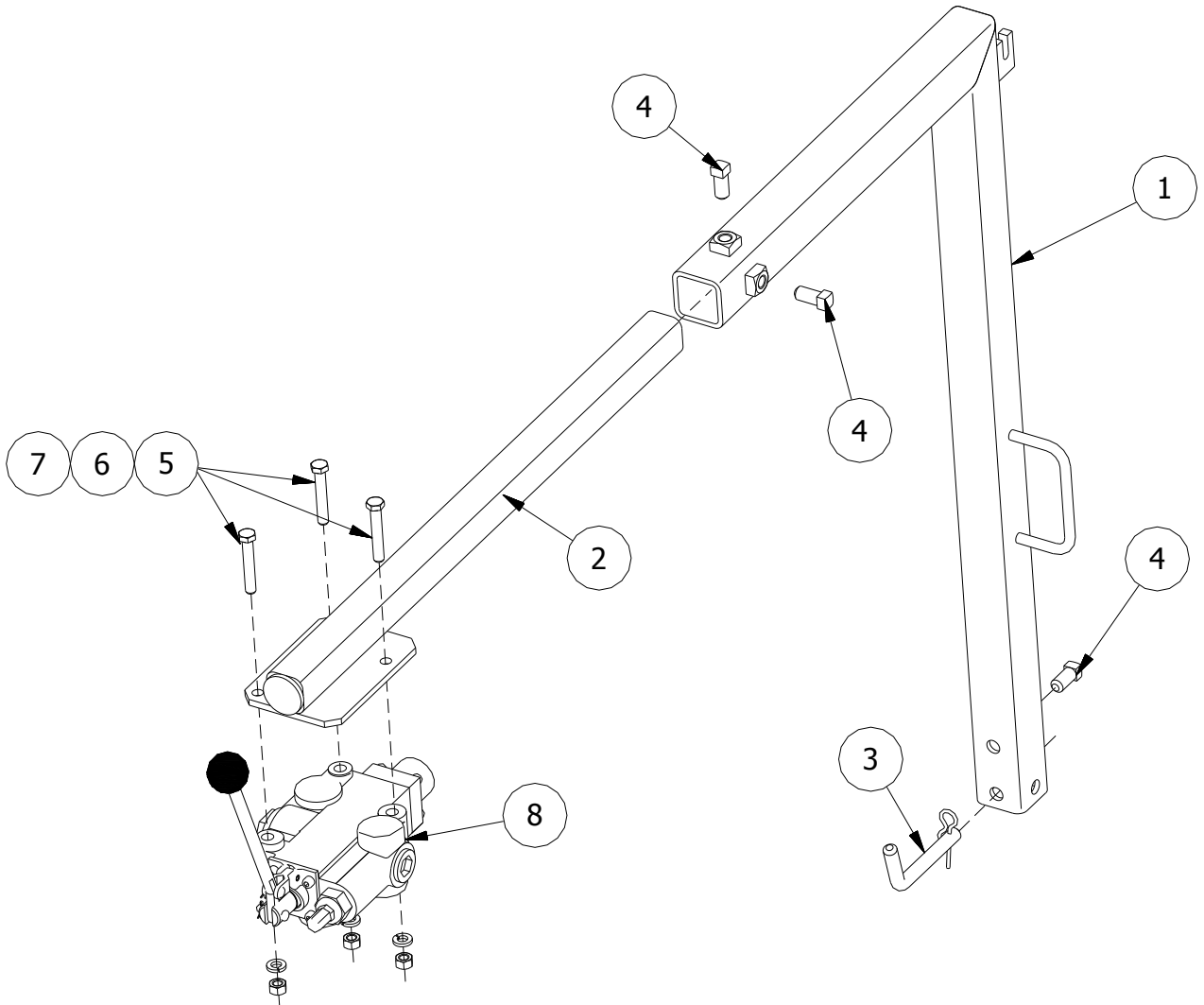
\*THESE ITEMS MAKE UP 42-081-036

### SAFETY CHAIN



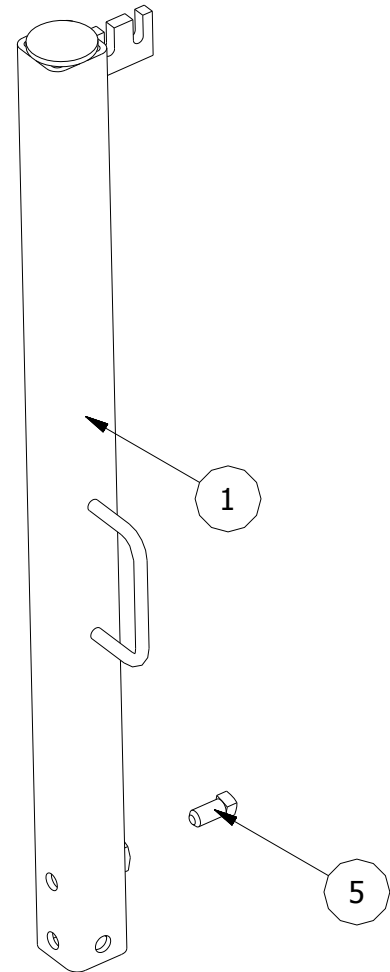
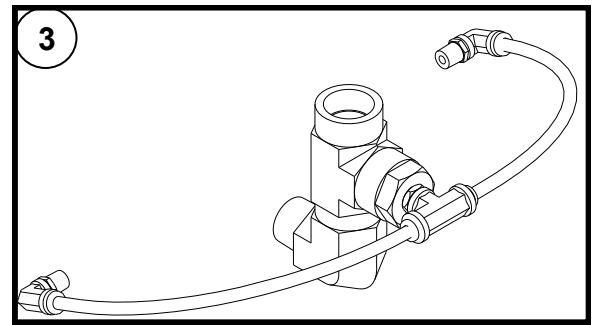
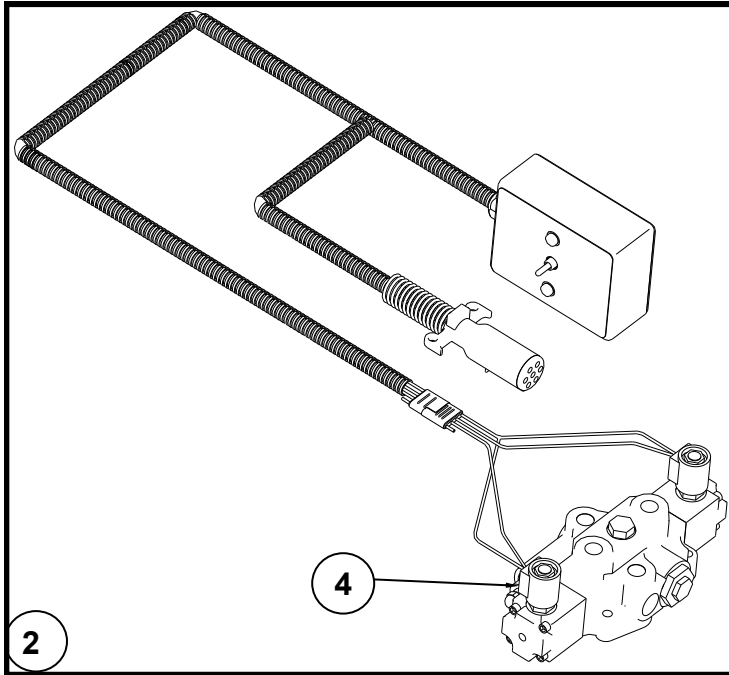
ITEM	PART NO	SERIAL NO OR YR	DESCRIPTION	QTY
1	33-050-140		CHAIN, 27 LINKS SAFETY	1
2	33-080-181		CHAIN SHACKLE, 3/8	1
3	33-050-139		DOUBLE CLEVIS LINK, 3/8	1

# MANUAL FLOOR CHAIN CONTROL



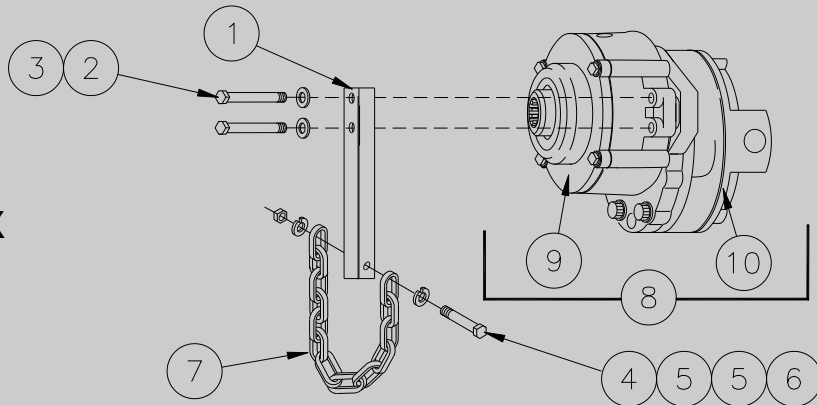
ITEM	PART NO	SERIAL NO OR YR	DESCRIPTION	QTY
1	42-080-097		ARM, CONTROL (2 X 2)	1
2	42-080-100		EXTENSION, CONTROL ARM	1
3	04-050-134		PIN, 1/2" BENT HITCH	1
4	54-010250		SETSCREW, 1/2 X 1 SQ HD CUPPT	3
5	48-090210		CAPSCREW, 3/8 X 2 1/4 G5 PLT	3
6	68-010150		HEX NUT, 3/8 PLT	3
7	66-010150		LOCKWASHER, 3/8 PLT	3
8	42-061-014		CONTROL VALVE, SINGLE	1
	42-061-034		SEAL KIT	1
	42-061-035		HANDLE, CLEVIS	1
	42-061-036		HANDLE HARDWARE KIT	1

## ELECTRICAL FLOOR CHAIN CONTROL

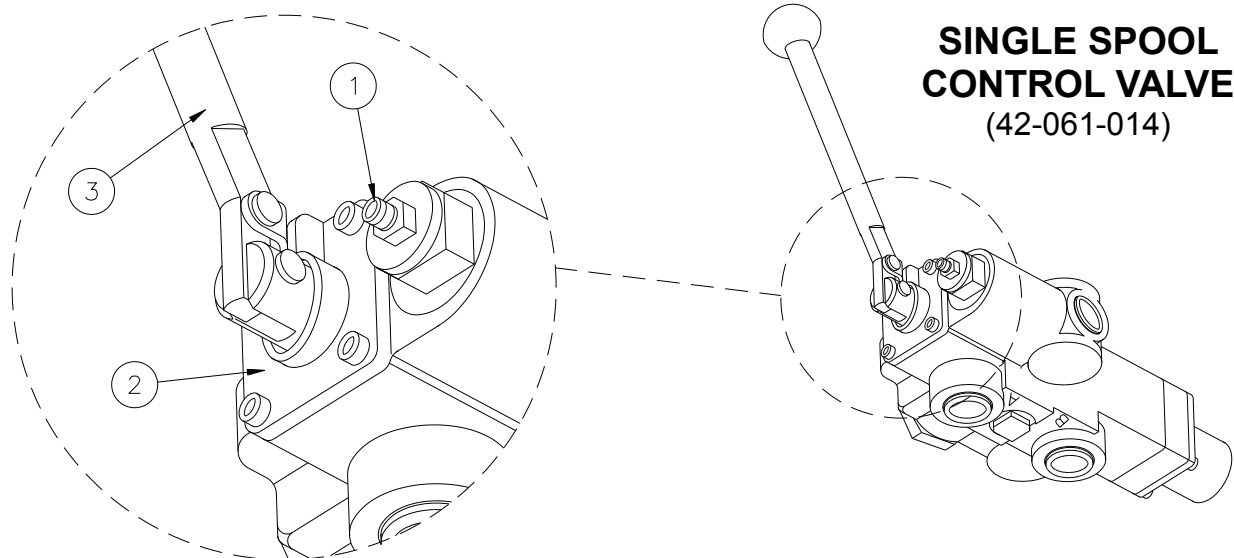


ITEM	PART NO	SERIAL NO OR YR	DESCRIPTION	QTY
1	42-080-322		ARM, CONTROL ELECTRICAL	1
2	42-081-108		FLOOR CHAIN HARNESS (SEE PAGE 49 & 57)	
3	42-081-043		KIT, ELEC RETRO FLOOR (SEE PAGE 49)	
4	42-061-202		VALVE, SINGLE SPOOL	1
5	54-010250		SETSCREW, 1/2 X 1 SQ HD CUPPT	1

## 2.85 PUMP/GEAR BOX & TORQUE ARM



ITEM	PART NO	SERIAL NO OR YR	DESCRIPTION	QTY
1	42-025-058		TORQUE ARM (EATON)	1
2	62-010200		FLATWASHER, 1/2 PLT	2
3	48-200028		CAPSCREW, 1/2 X 1 1/4 G8 PLT	2
4	48-090185		CAPSCREW, 3/8 X 1 3/4 G5 PLT	1
5	62-010100		LOCKWASHER, 3/8 PLT	2
6	72-020030		LOCKNUT, 3/8 PLT	1
7	03-050-092		CHAIN	1
8	42-061-013		PUMP, (2.85) PTO GEAR BOX &	1
9	42-061-047		GEAR BOX (Page 42)	1
10	42-061-039		PUMP, (2.85) (Page 43)	1



## SINGLE SPOOL CONTROL VALVE (42-061-014)

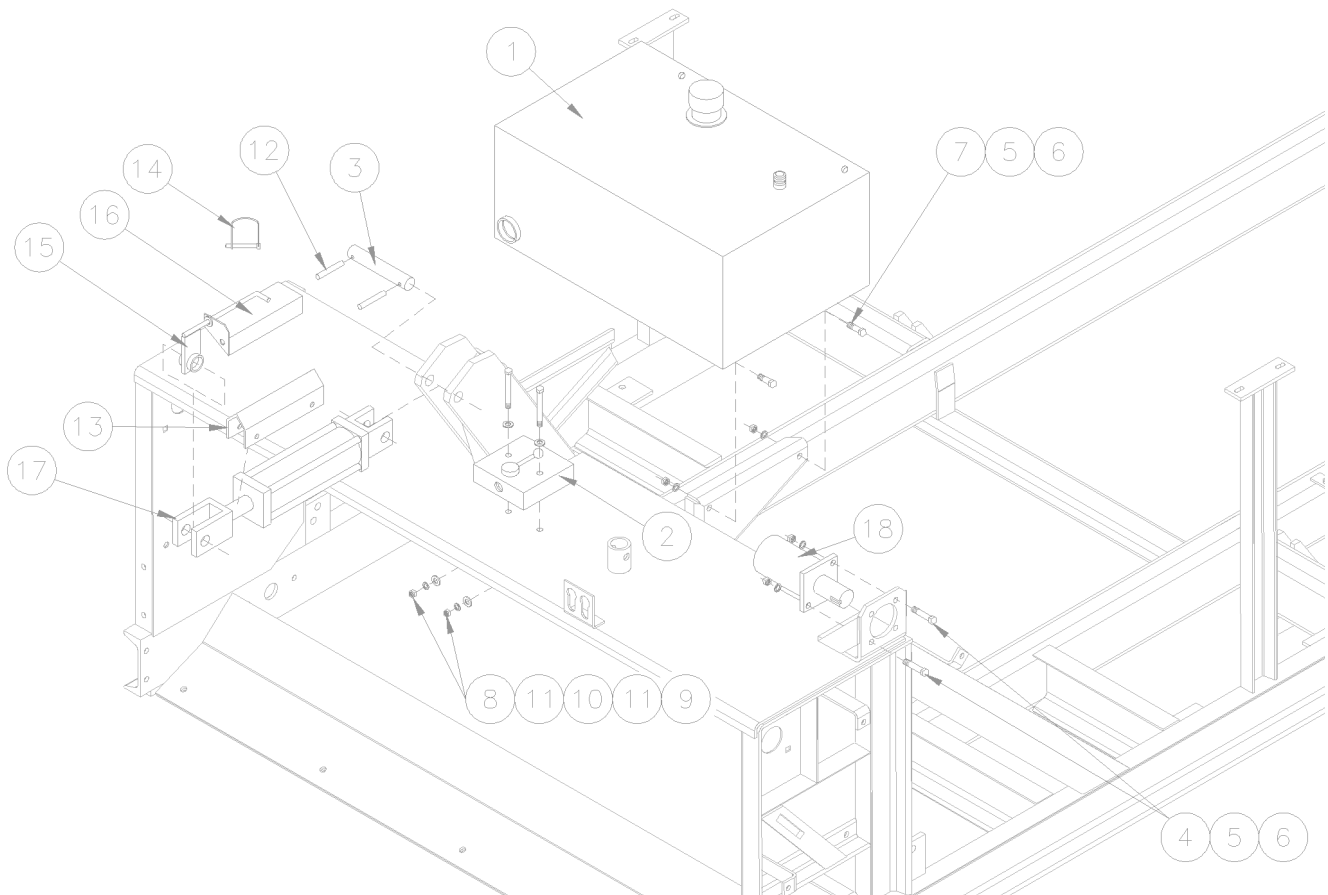
ITEM	PART NO	SERIAL NO OR YR	DESCRIPTION	QTY
1	42-061-097		CARTRIDGE, PRESSURE RELIEF	1
2	42-061-035		HANDLE CLEVIS	1
3	42-061-036		HANDLE HARDWARE KIT	1
4	42-061-034		SEAL KIT	1

## 2.85 PUMP/GEAR BOX & TORQUE ARM

ITEM	PART NO	SERIAL NO OR YR	DESCRIPTION	QTY
1	03-050-092		CHAIN	1
2	17-050-003		FLATWASHER, 1/2 HARDENED	2
3	20-050-043		SHACKLE	3
4	42-027-326		YOKE, TORQUE ARM	1
5	42-050-086		SPRING HOOK, 80MM	1
6	48-090600		CAPSCREW, 1/2 X 2 G5 PLT	2
7	66-010250		LOCKWASHER, 1/2 REG	2
8	42-061-013		PUMP, (2.85) PTO GEAR BOX &	1
9	42-061-047		GEAR BOX (Page 42)	1
10	42-061-039		PUMP, (2.85) (Page 43)	1

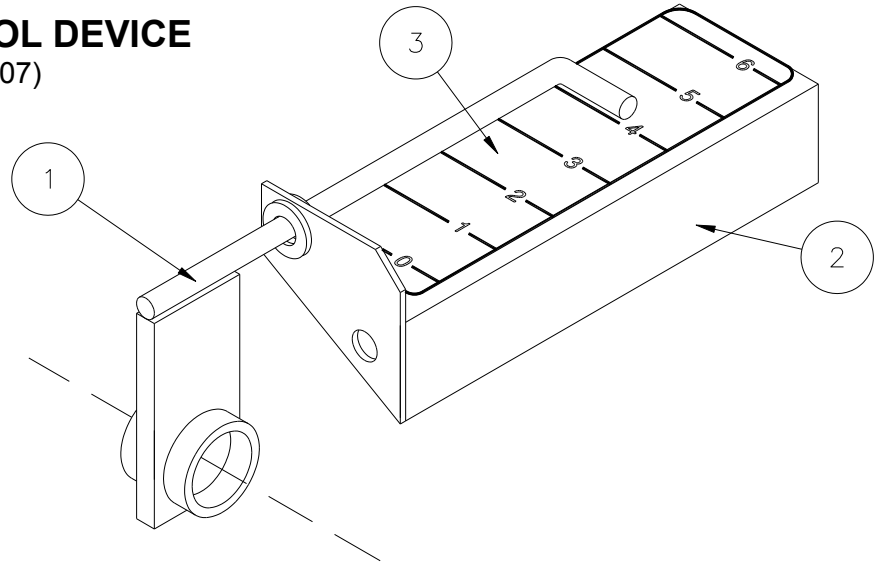


## FRONT COMPONENTS OF CLEANER



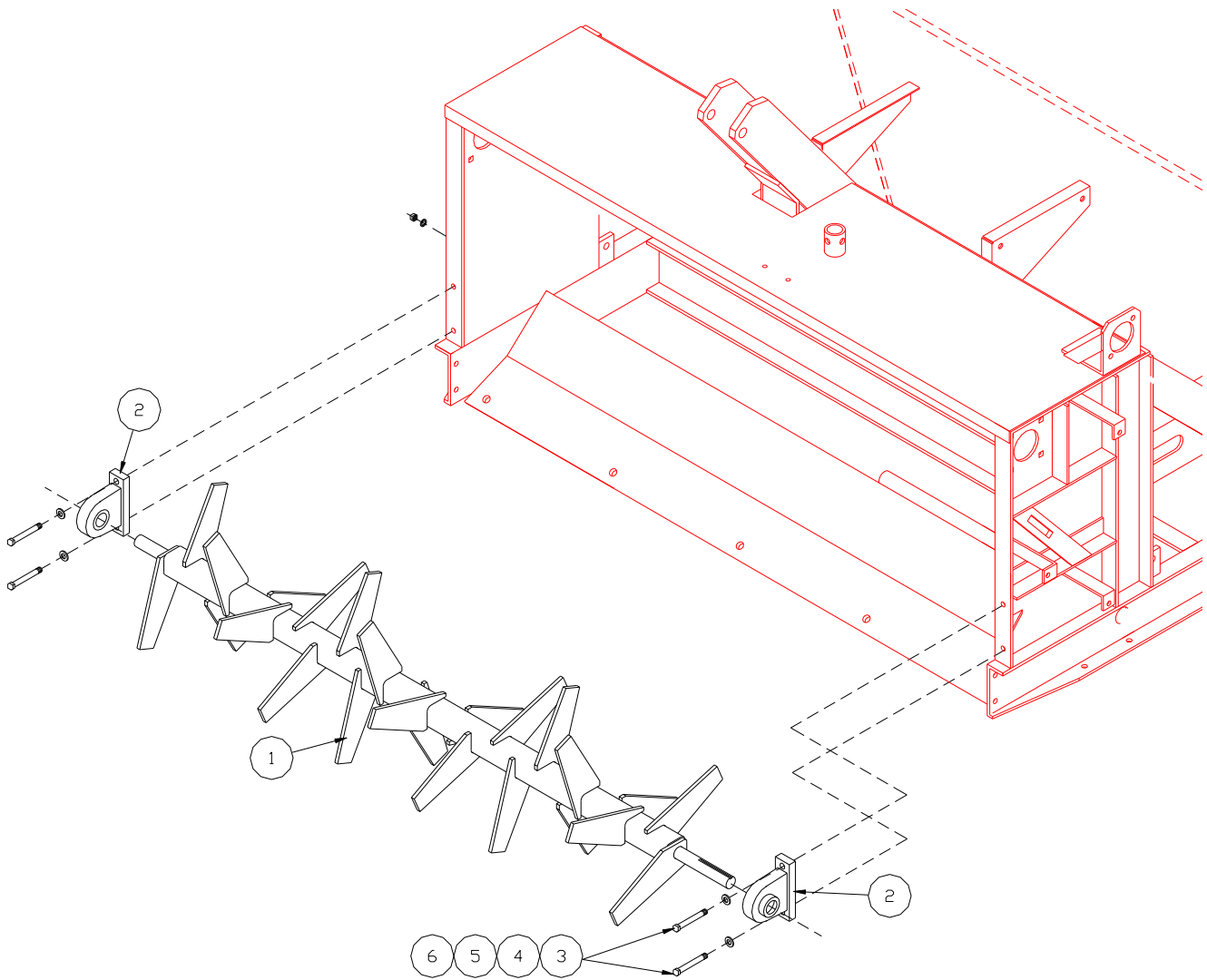
ITEM	PART NO	SERIAL NO OR YR	DESCRIPTION	QTY
1	42-061-011		RESERVOIR	1
2	09-061-006		VALVE, ADJ FLOW CONTROL	1
3	21-026-007		PIN, 1" CLEVIS	1
4	48-090596		CAPSCREW, 1/2 X 1 3/4 G5 PLT	2
5	66-010250		LOCKWASHER, 1/2 PLT	6
6	68-010250		HEX NUT, 1/2 PLT	6
7	48-090592		CAPSCREW, 1/2 X 1 1/4 G5 PLT	4
8	48-090032		CAPSCREW, 1/4 X 2 1/2 G5 PLT	2
9	68-010050		HEX NUT, 1/4 PLT	2
10	66-010050		LOCKWASHER, 1/4 PLT	2
11	62-010010		FLATWASHER, 1/4 PLT	4
12	02-050-007		ROLL PIN, 1/4 X 1 1/2	2
13	42-027-050		LOCK, CYLINDER	1
14	21-050-012		SNAPPER PIN, 3/8 X 2-3/4	2
15	42-080-081		STAND, INDICATOR	1
16	42-080-082		DEPTH, INDICATOR	1
17	33-061-203		CYLINDER, HYD	1
18	42-061-003		MOTOR, FEEDER HYDRAULIC`	1

**DEPTH CONTROL DEVICE**  
(42-082-007)



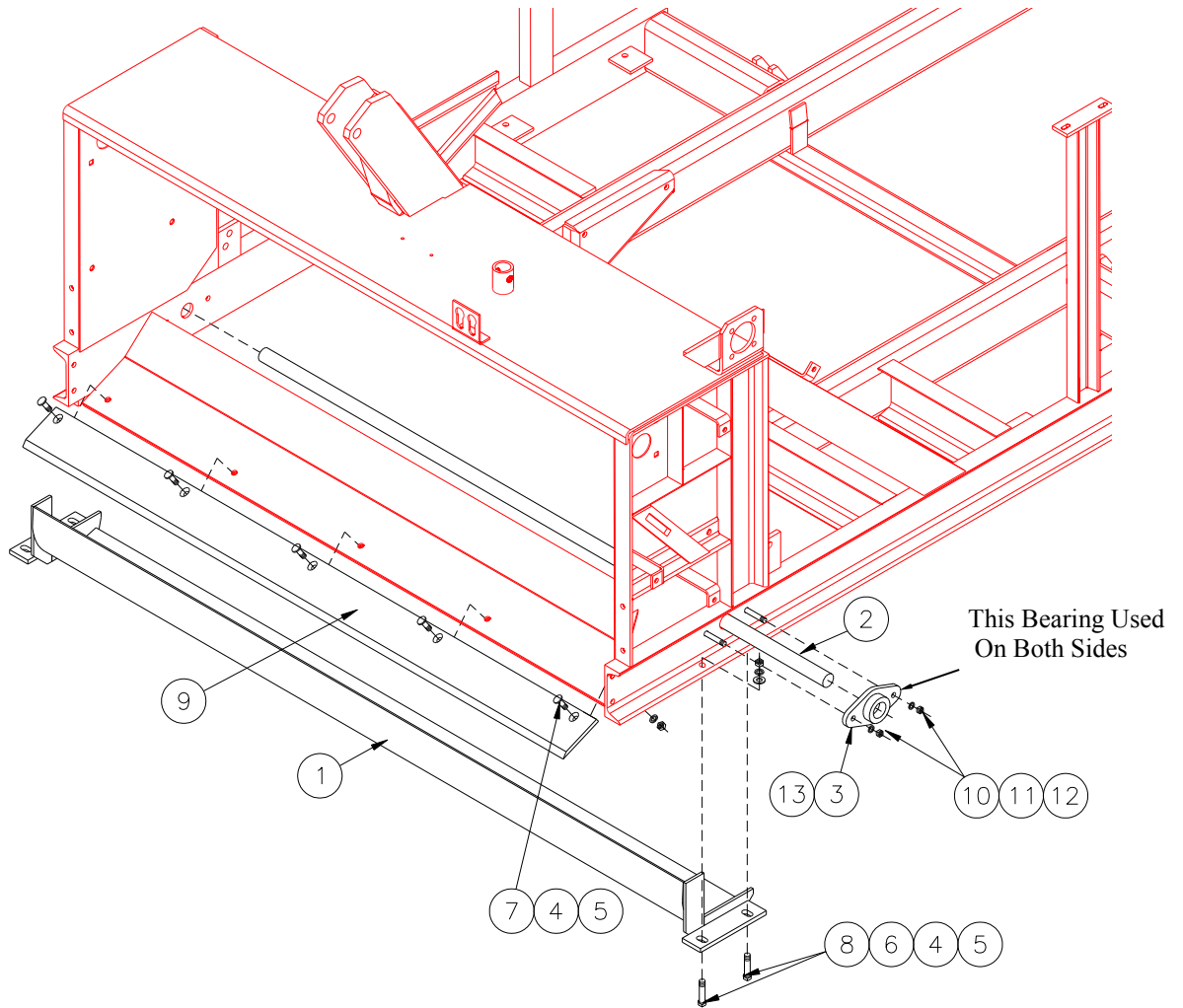
ITEM	PART NO	SERIAL NO OR YR	DESCRIPTION	QTY
1	42-080-081		STAND, INDICATOR	1
2	42-080-082		DEPTH, INDICATOR	1
3	42-050-012		DECAL, DEPTH	1

## FEEDER REEL



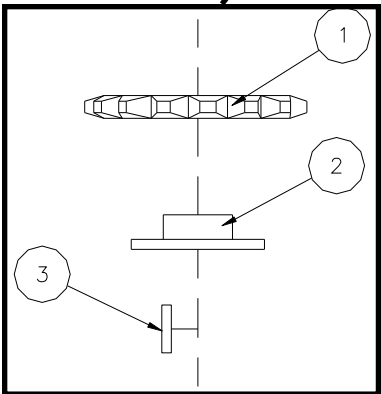
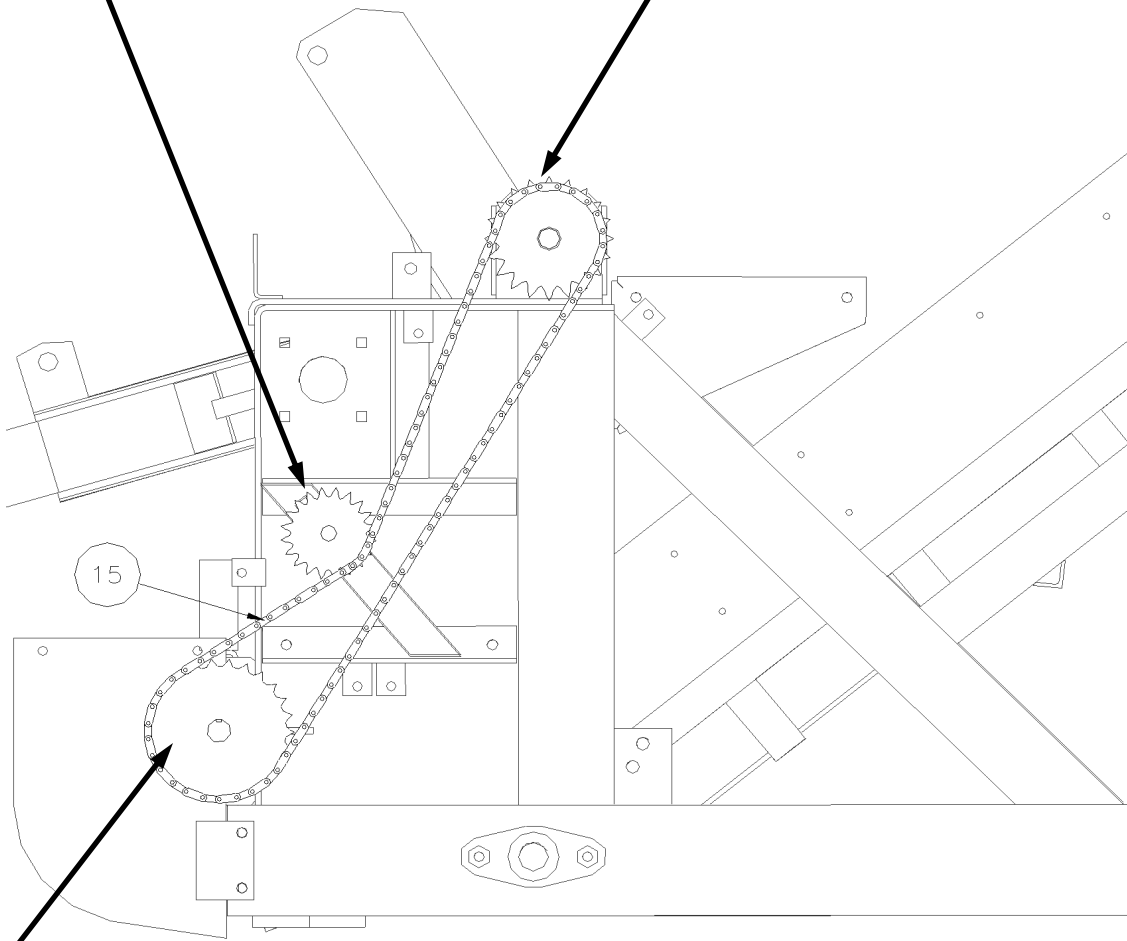
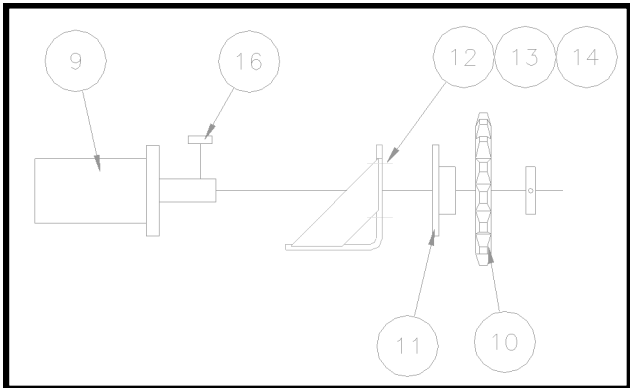
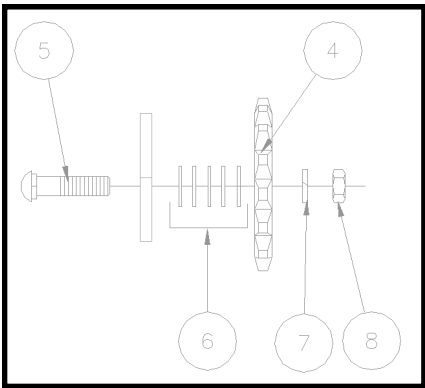
ITEM	PART NO	SERIAL NO OR YR	DESCRIPTION	QTY
1	42-080-321		REEL, HD. FEEDER	1
2	33-051-035		BEARING, 1 1/4 PILLOW BLOCK	2
3	48-090600		CAPSCREW, 1/2 X 2 G5 PLT	4
4	62-010200		FLATWASHER. 1/2 STD PLT	4
5	66-010250		LOCKWASHER, 1/2 PLT	4
6	68-010250		HEX NUT, 1/2 PLT	4

## CONVEYOR TROUGH AND IDLER SHAFT

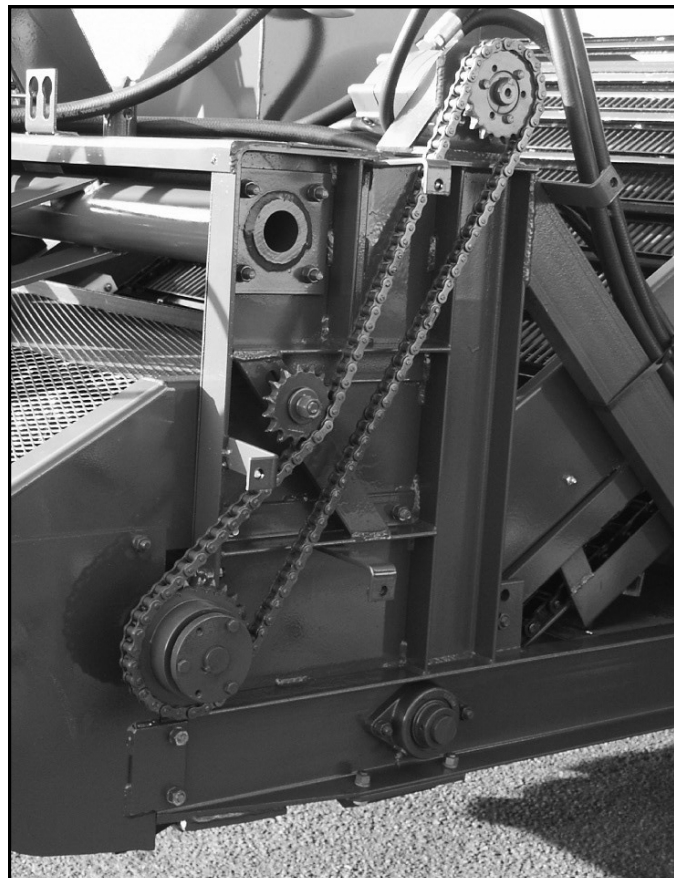


ITEM	PART NO	SERIAL NO OR YR	DESCRIPTION	QTY
1	42-080-071		TROUGH, CONVEYOR	1
2	42-026-032		SHAFT, IDLER (HD)	1
3	33-051-011		BEARING UNIT, 1 1/2	2
4	66-010250		LOCKWASHER, 1/2 PLT	13
5	68-010250		HEX NUT, 1/2 PLT	13
6	62-010200		FLATWASHER. 1/2 STD PLT	4
7	60-020100		PLOWSCREW, 1/2 X 1 3/4 #3 REG	5
8	48-090600		CAPSCREW, 1/2 X 2 G5 PLT	4
9	42-057-002		BLADE	1
10	48-090150		CAPSCREW, 3/8 X 1 1/4	4
11	66-010150		LOCKWASHER, 3/8	4
12	68-010150		HEXNUT, 3/8 PLT	4
13	33-050-092		GREASE FITTING, 1/8-27 45°	2

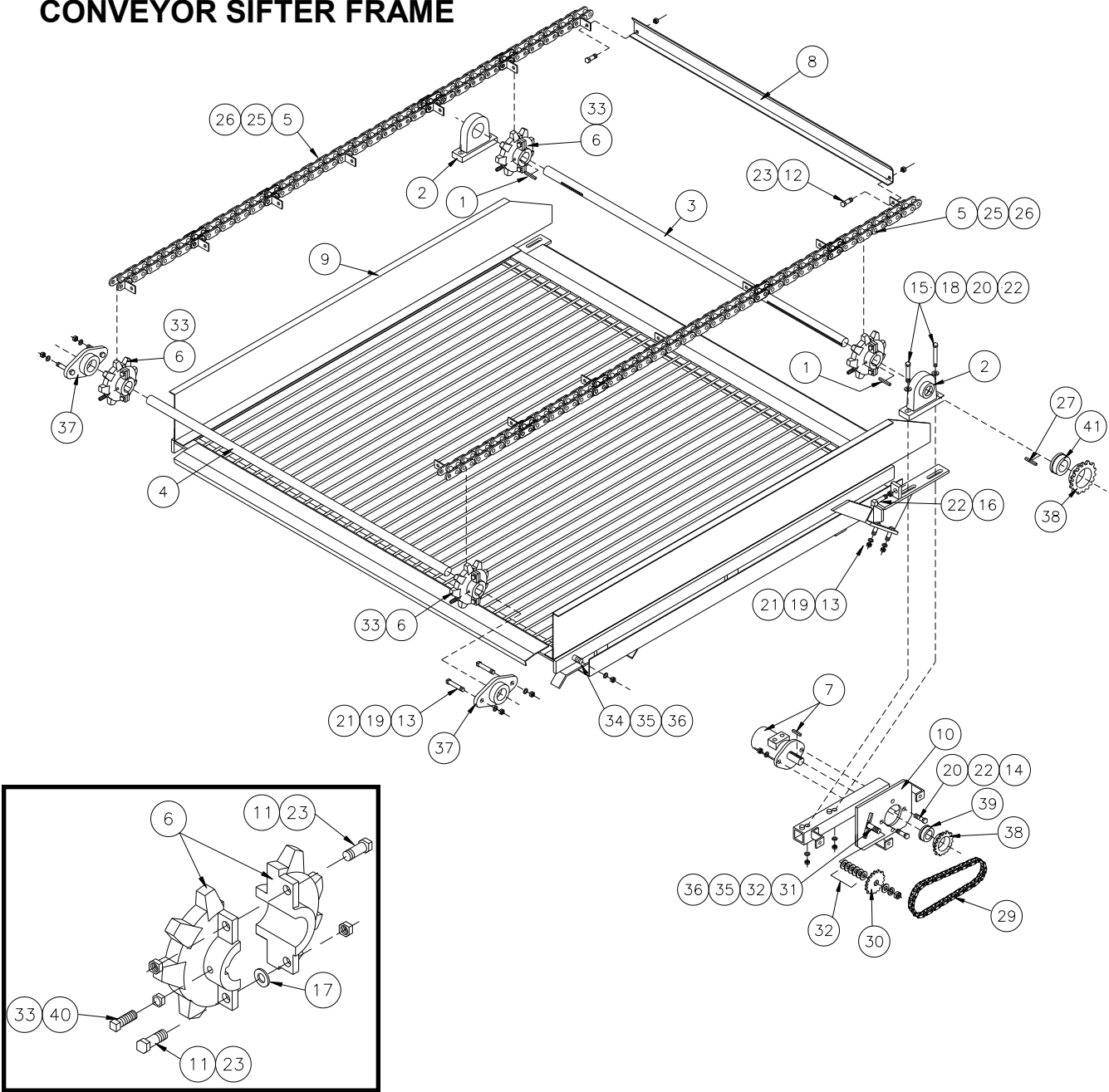
# FEEDER REEL BEARINGS AND DRIVES



ITEM	PART NO	SERIAL NO OR YR	DESCRIPTION	QTY
1	33-052-043		SPROCKET, 60Q26	1
2	33-053-067		BUSHING, 1 1/4 TAPER	1
3	03-026-016		KEY, 1/4 X 2	1
4	33-052-015		SPROCKET, #60 CHAIN	1
5	52-050370		CARRIAGE SCREW, 5/8 X 2 3/4	1
6	62-010250		FLATWASHER, 5/8	5
7	66-010300		LOCKWASHER, 5/8	1
8	68-010300		HEX NUT, 5/8	1
9	42-061-003		MOTOR, HYD (FEEDER REEL)	1
	42-061-033		SEAL KIT	-
10	42-052-029		SPROCKET (H60SD20)	1
11	42-052-030		BUSHING, SDS 1 1/4	1
12	48-090596		CAPSCREW, 1/2 X 1 3/4	2
13	66-010250		LOCKWASHER, 1/2	2
14	68-010250		HEX NUT, 1/2	2
15	42-052-010		CHAIN, RC60H 108 PITCH	1
16	33-026-229		KEY, 5/16 X 1 1/4 SQ	1



# CONVEYOR SIFTER FRAME

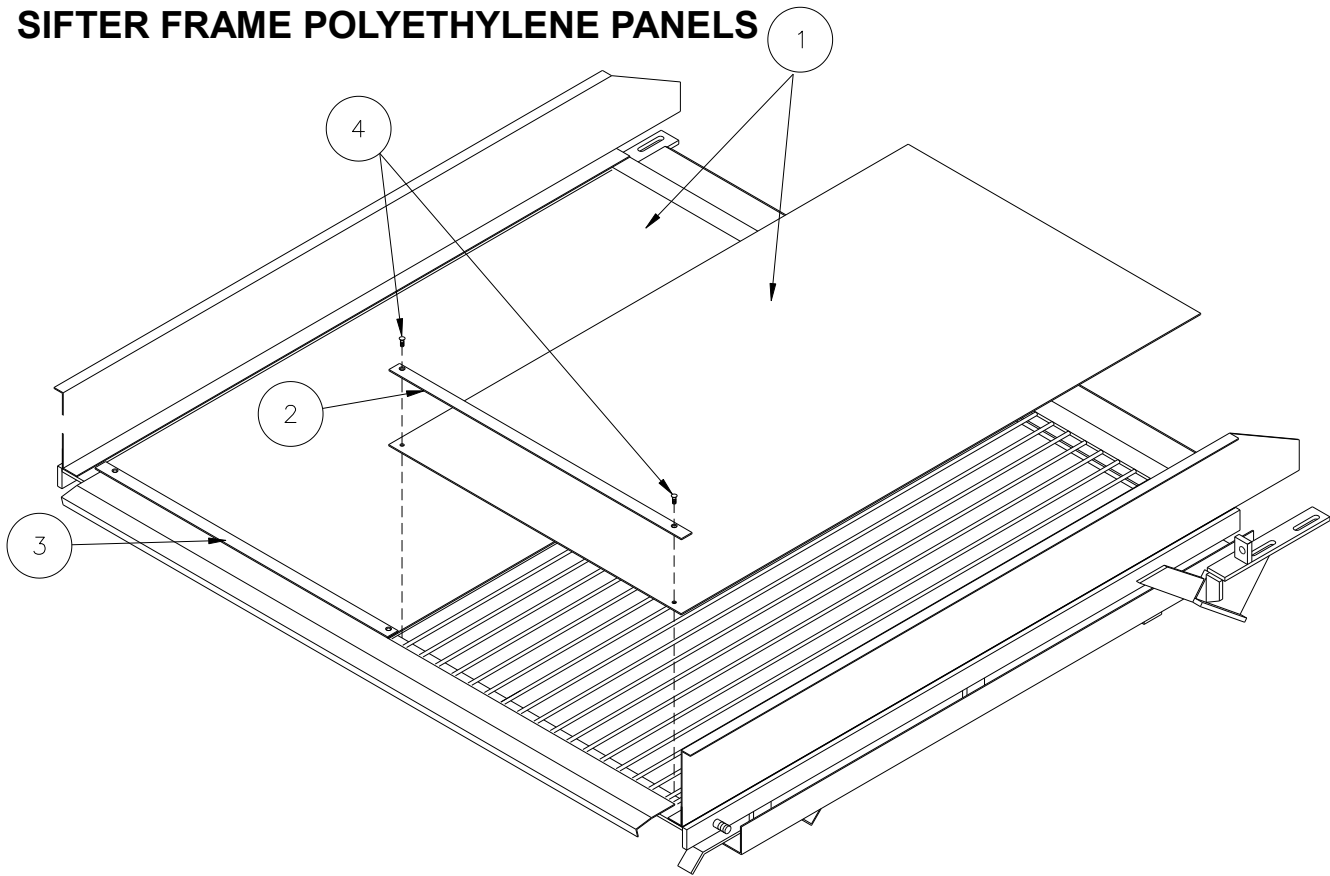


ITEM	PART NO	SERIAL NO OR YR	DESCRIPTION	QTY	
				STD	LP
1	03-026-016		KEY, 1/4 X 2	2	2
2	42-051-004		BEARING, 1 1/2 PILLOW	2	2
3	42-026-033		SHAFT, SIFTER (HD)	1	1
4	42-026-032		SHAFT, IDLER (HD)	1	1
5	42-052-047		CHAIN (667X-72) PAIR	1	1
6	42-052-046		SPROCKET, SPLIT 662-8T	4	4
7	42-061-037		HYDRAULIC MOTOR (HD)	1	1
8	42-080-155		BAR, SIFTER CONVEYOR (HD)	24	24
9	42-080-164		FRAME, CONVEYOR (HD)	1	-
	42-080-136		FRAME, CONVEYOR (HDLP)	-	1

ITEM	PART NO	SERIAL NO OR YR	DESCRIPTION	QTY	
				STD	LP
10	42-080-146		BRACKET, SIFTER MOTOR	1	1
11	48-090170		CAPSCREW, 3/8 X 1 1/2 G5 PLT	8	8
12	48-090100		CAPSCREW, 3/8 X 1 G5 PLT	48	48
13	48-090150		CAPSCREW, 3/8 X 1 1/4 G5 PLT	8	8
14	48-090596		CAPSCREW, 1/2 X 1 3/4 G5 PLT	2	2
15	48-090625		CAPSCREW, 1/2 X 2 1/2 G5 PLT	4	4
16	54-010262		SETSCREW, 1/2 X 4 CUPPT	2	2
17	42-050-031		WASHER, 1 X 7/16 X .055 PLT	4	4
18	62-010200		FLATWASHER, 1/2 STD PLT	4	4
19	66-010150		LOCKWASHER, 3/8 PLT	8	8
20	66-010250		LOCKWASHER, 1/2 PLT	8	8
21	68-010150		HEX NUT, 3/8 PLT	4	4
22	68-010250		HEX NUT, 1/2 PLT	6	6
23	72-020030		LOCKNUT, 3/8 G"C" PLT	56	56
24	42-052-022		CONNECTOR LINK (LT)(662)W/(G-50)	1	1
25	42-052-023		CONNECTOR LINK (RT)(662)W/(G-50)	1	1
26	42-052-027		CONNECTOR LINK, (662)	2	2
27	Comes with Bushing		KEYSTOCK	1	1
28	42-052-034		SPROCKET, 1 1/4" BORE	1	1
29	42-052-053		CHAIN, RC-60H52P	1	1
30	33-052-015		SPROCKET, #60 CHAIN	1	1
31	52-050370		CARRIAGE SCREW, 5/8 X 2 3/4	1	1
32	62-010250		FLATWASHER, 5/8	7	7
33	54-010020		SETSCREW, 5/16 X 3/8 SQ HD CUPPT	4	4
34	48-090950		CAPSCREW, 5/8 X 2 G5 PLT	2	2
35	66-010300		LOCKWASHER, 5/8 PLT	3	3
36	68-010300		HEX NUT, 5/8 PLT	3	3
37	42-051-002		BEARING, FLANGE 1 1/4	2	2
38	42-052-052		SPROCKET, H60SH15	2	2
39	42-052-056		BUSHING, SH 1 1/4	1	1
40	70-010025		JAM NUT, 5/16	4	4
41	42-052-057		BUSHING, SH 1 1/2	1	1



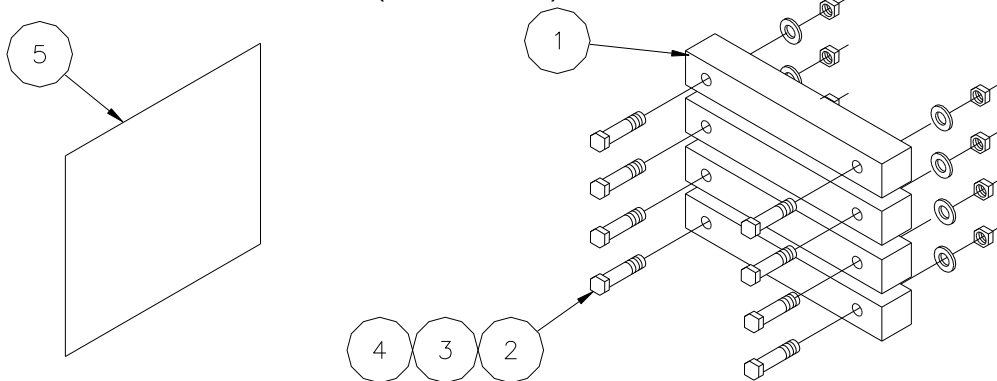
## SIFTER FRAME POLYETHYLENE PANELS



ITEM	PART NO	SERIAL NO OR YR	DESCRIPTION	QTY
1	42-027-160		PANEL, POLYETHYLENE	2
2	42-027-161		PLATE, LT HOLD DOWN	1
3	42-027-162		PLATE, RT HOLD DOWN	1
4	60-030401		CNTRSNK SCREW, 3/8 X 1 SOC HD	4

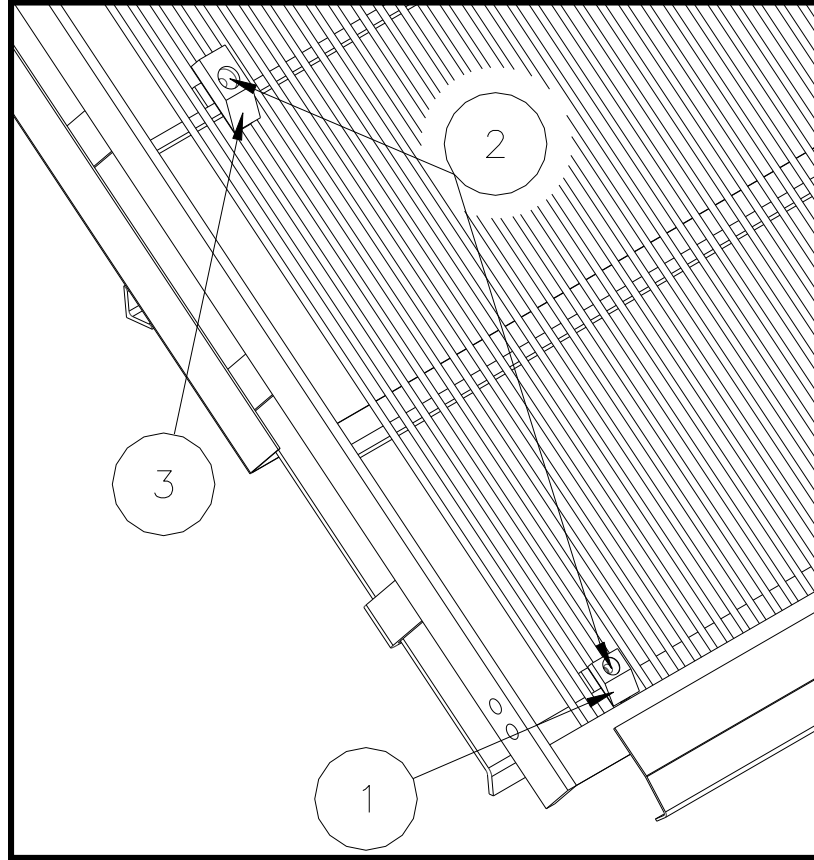
## HOLD DOWN BLOCK KIT

(42-081-020)



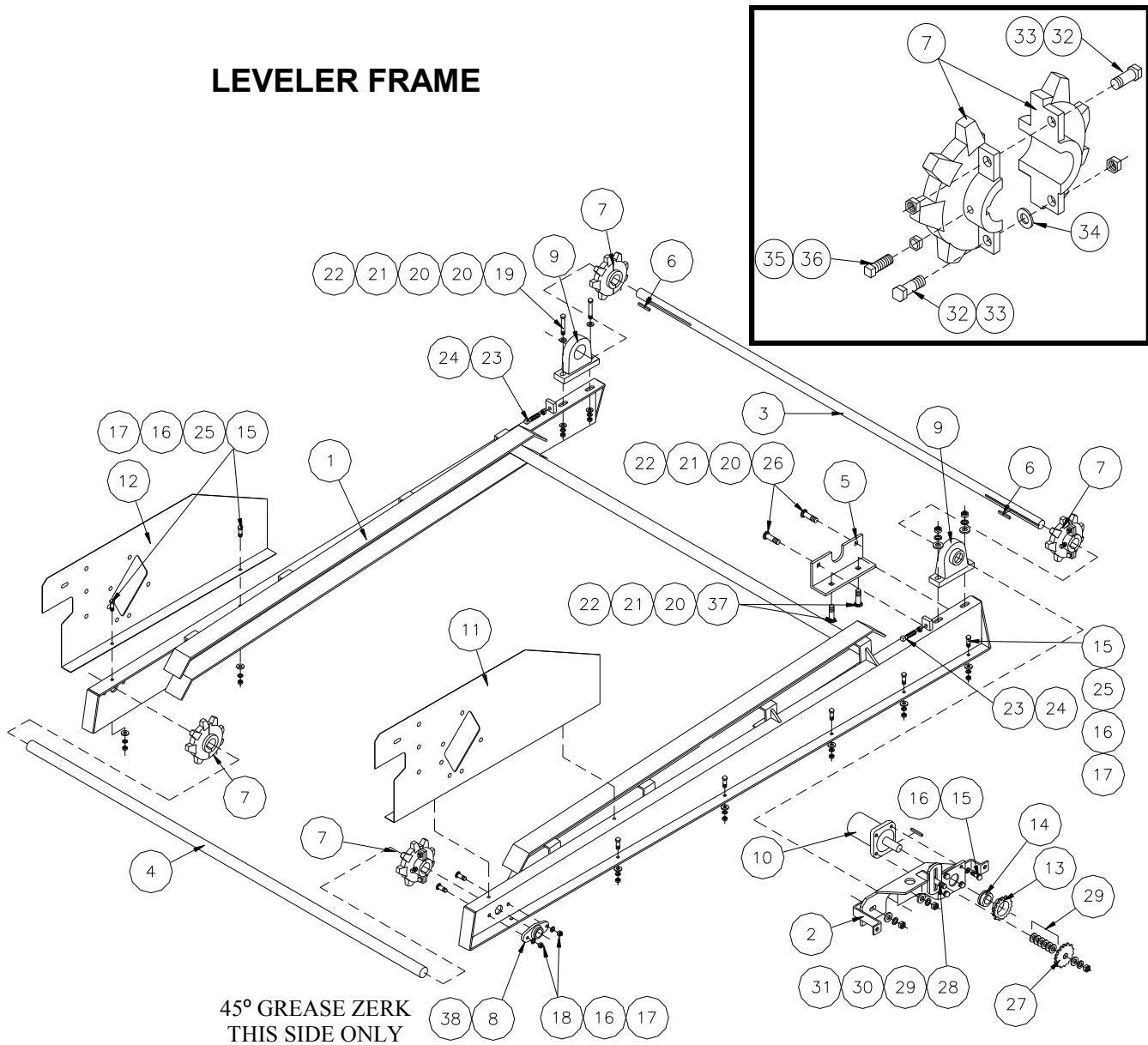
ITEM	PART NO	SERIAL NO OR YR	DESCRIPTION	QTY
1	42-026-031		BLOCK, HOLD DOWN	4
2	48-090040		CAPSCREW, 5/16 X 2 1/4 G5 PLT	8
3	62-010050		FLATWASHER, 5/16 PLT	8
4	72-010025		LOCKNUT, 5/16 PLT	8
5	42-008		INSTRUCTIONS, HOLD DOWN	1

**BUMP PADS**  
(42-081-031)



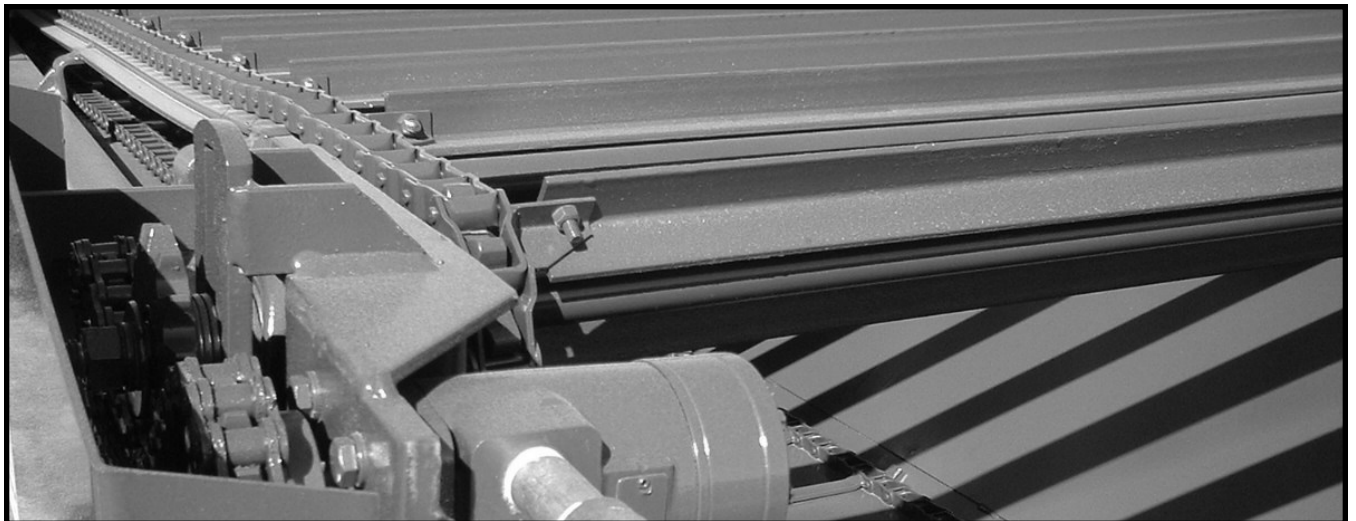
ITEM	PART NO	SERIAL NO OR YR	DESCRIPTION	QTY
1	42-026-029		PAD, BUMP	2
2	60-030401		SOC HD CNTRSNK C/S, 3/8 X 1 G5 PLT	4
3	42-026-043		BUMP PAD, TALL	2

# LEVELER FRAME

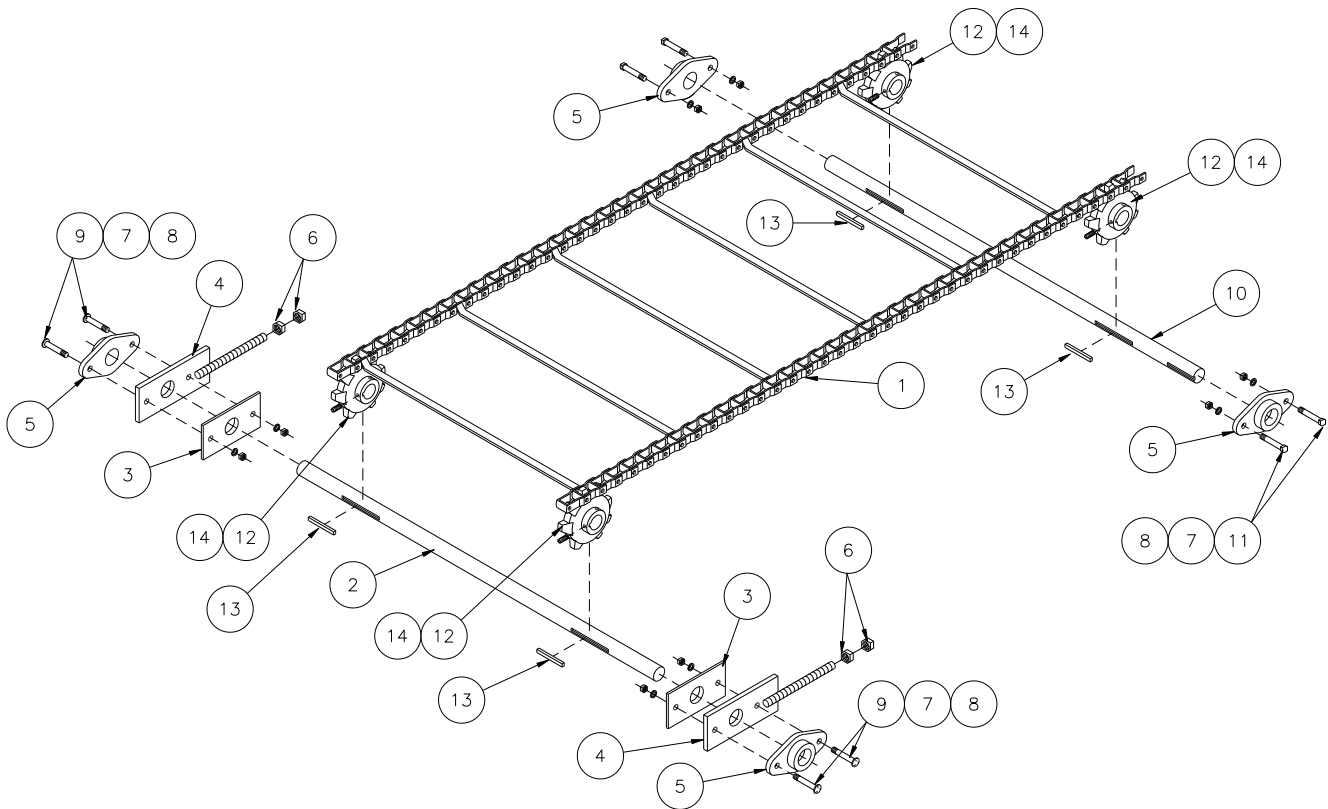


ITEM	PART NO	SERIAL NO OR YR	DESCRIPTION	QTY	
				STD	LP
1	42-080-161		FRAME, LEVELER (HDSTD)	1	-
	42-080-137		FRAME, LEVELER (HDLP)	-	1
2	42-080-138		BRKT, LEVELER INBOARD MOTOR	-	-
3	42-026-034		SHAFT, LEVELER (HD)	1	1
4	42-026-032		SHAFT, IDLER (HD)	1	1
5	42-023-185		SUPPORT, LEVELER MOTOR	1	1
6	03-026-016		KEY, 1/4 X 2	2	2
7	42-052-009		SPROCKET, 667X-8T	4	4
8	42-051-002		BEARING, FLANGE 1 1/4B	2	2
9	33-051-035		BEARING, 1 1/4 PILLOW	2	2
10	42-061-153		MOTOR, HYD 14.1	1	1
	42-061-028		SEAL KIT	1	1

ITEM	PART NO	SERIAL NO OR YR	DESCRIPTION	QTY	
				STD	LP
11	42-027-155		SHIELD, LEVELER (LT) (HDSTD)	1	-
	42-027-149		SHIELD, LEVELER (LT) (HDLP)	-	1
12	42-027-156		SHIELD, LEVELER (RT) (HDSTD)	1	-
	42-027-150		SHIELD, LEVELER (RT) (HDLP)	-	1
13	42-052-052		SPROCKET, H60SH15	1	1
14	42-052-051		BUSHING, SH-1	1	1
15	48-090100		CAPSCREW, 3/8 X 1 G5 PLT	18	18
16	66-010150		LOCKWASHER, 3/8 PLT	18	18
17	68-010150		HEX NUT, 3/8 PLT	22	22
18	52-050040		CARRIAGE SCREW, 3/8 X 1 1/4 G5 P	4	4
19	48-090625		CAPSCREW, 1/2 X 2-1/2 G5 PLT	2	2
20	62-010200		FLATWASHER, 1/2 PLT	8	8
21	66-010250		LOCKWASHER, 1/2 PLT	6	6
22	68-010250		HEX NUT, 1/2 PLT	6	6
23	54-010259		SETSCREW, 1/2 X 3 SQ HD G5 PLT	2	2
24	70-010100		JAM NUT, 1/2 PLT	2	2
25	62-010100		FLATWASHER, 3/8 PLT	16	16
26	52-050140		CARRIAGE SCREW, 1/2 X 1 1/2	2	2
27	33-052-015		SPROCKET, 60-15T	1	1
28	52-050370		CARRIAGE SCREW, 5/8 X 2 3/4	1	1
29	62-010250		FLATWASHER, 5/8 PLT	5	5
30	66-010300		LOCKWASHER, 5/8 PLT	1	1
31	68-010300		HEX NUT, 5/8 PLT	1	1
32	48-090170		CAPSCREW, 3/8 X 1 1/2 G5 PLT	8	8
33	72-020030		LOCKNUT, 3/8 G"C" PLT	8	8
34	42-050-031		WASHER, 1 X 7/16 X .055 PLT	4	4
35	54-010020		SETSCREW, 5/16 X 3/8 SQ HD CUPPT	4	4
36	70-010025		JAM NUT, 5/16	4	4
37	52-050150		CARRIAGE SCREW, 1/2 X 1 3/4	2	2
38	33-050-092		GREASE FITTING, 1/8-27 45° (LEFT SIDE)	1	1

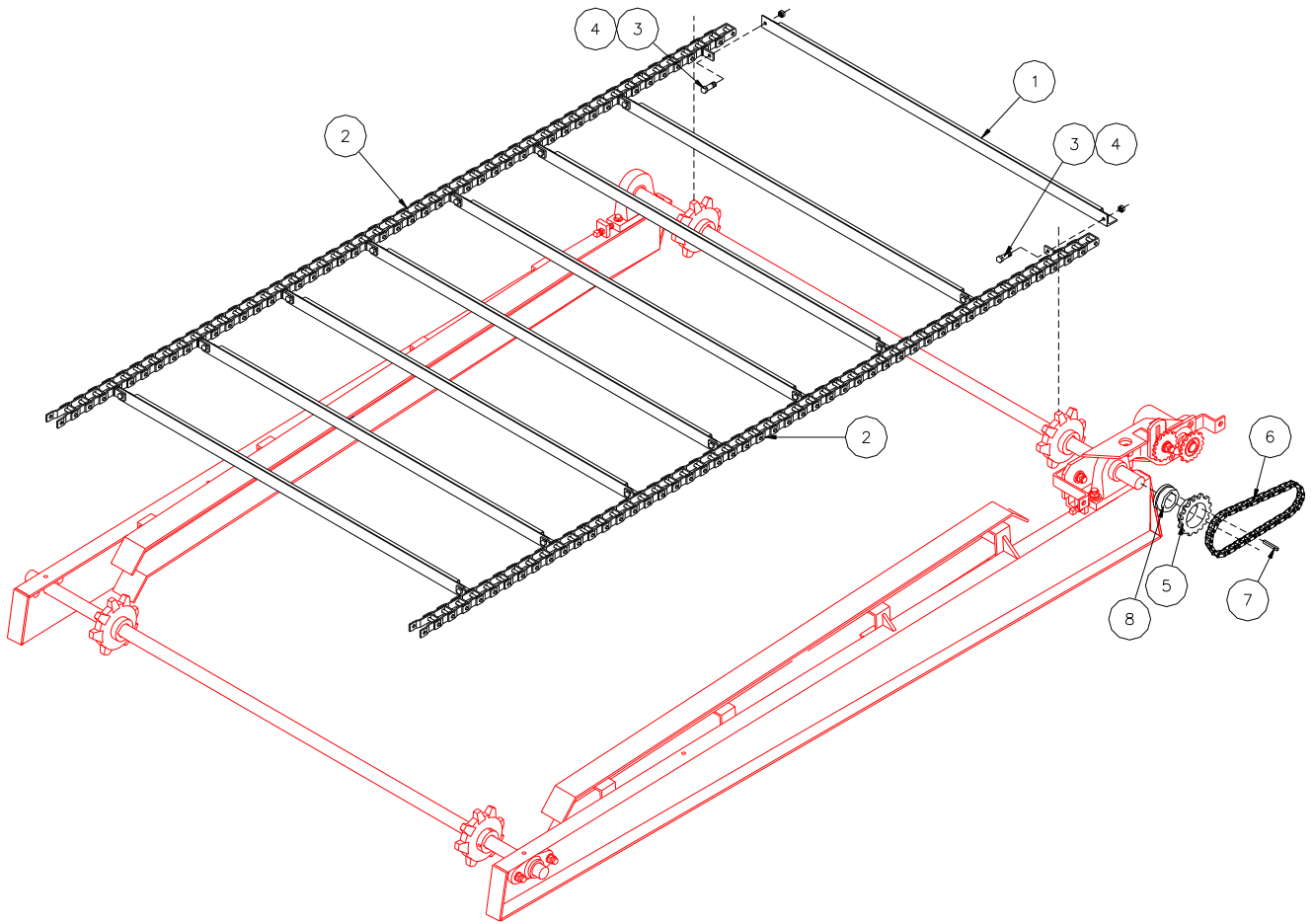


## UNLOADER CHAIN AND SHAFTS



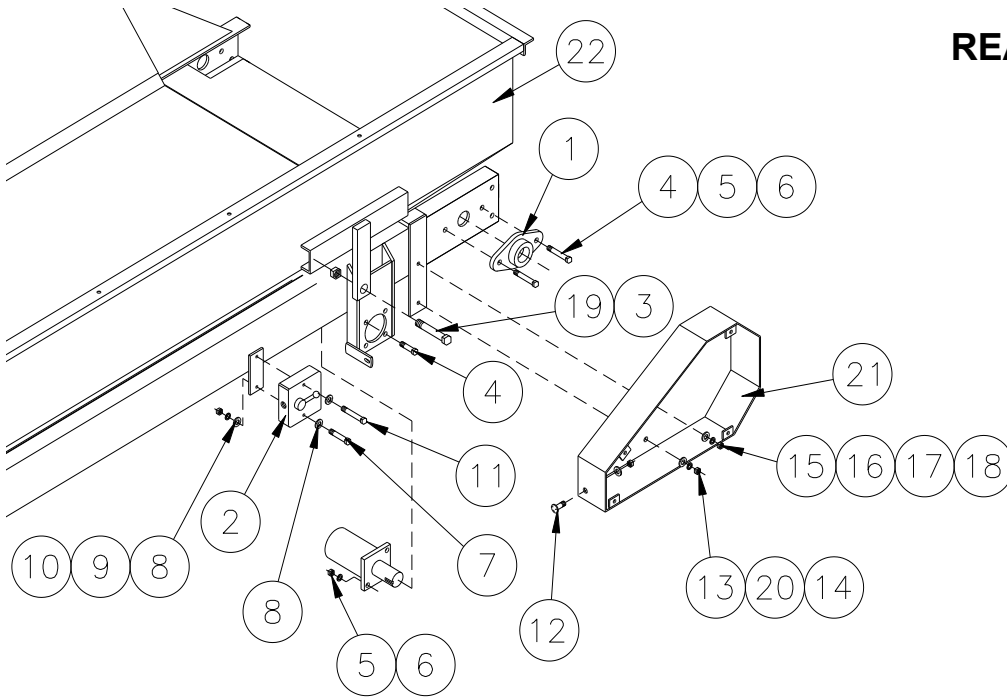
ITEM	PART NO	SERIAL NO OR YR	DESCRIPTION	QTY
1	42-052-017		CHAIN, BED ASSY	1
	42-052-026		LINK CONNECTOR (667X PINTLE)	-
2	42-026-010		SHAFT, UNLOADER FRONT	1
3	42-023-072		PLATE, TAKE-UP CLAMP	2
4	42-080-027		TAKE-UP, UNLOADER CHAIN	2
5	33-051-011		BEARING UNIT, 1 1/2	4
6	68-010350		HEX NUT, 3/4 -10 NC PLT	4
7	66-010250		LOCKWASHER, 1/2 PLT	8
8	68-010250		HEX NUT, 1/2 PLT	8
9	52-050260		CARRIAGE SCREW, 1/2 X 3 1/4 G5 PLT	4
10	42-026-011		SHAFT, UNLOADER REAR	1
11	48-090596		CAPSCREW, 1/2 X 1 3/4 G5 PLT	4
12	42-052-009		SPROCKET, 667X-8T (BED CHAIN)	1
13	33-026-087		KEY, 3/8 X 2 1/2	4
14	54-020080		SETSCREW, 5/16 X 3/8	4

## LEVELER FRAME BARS AND CHAIN



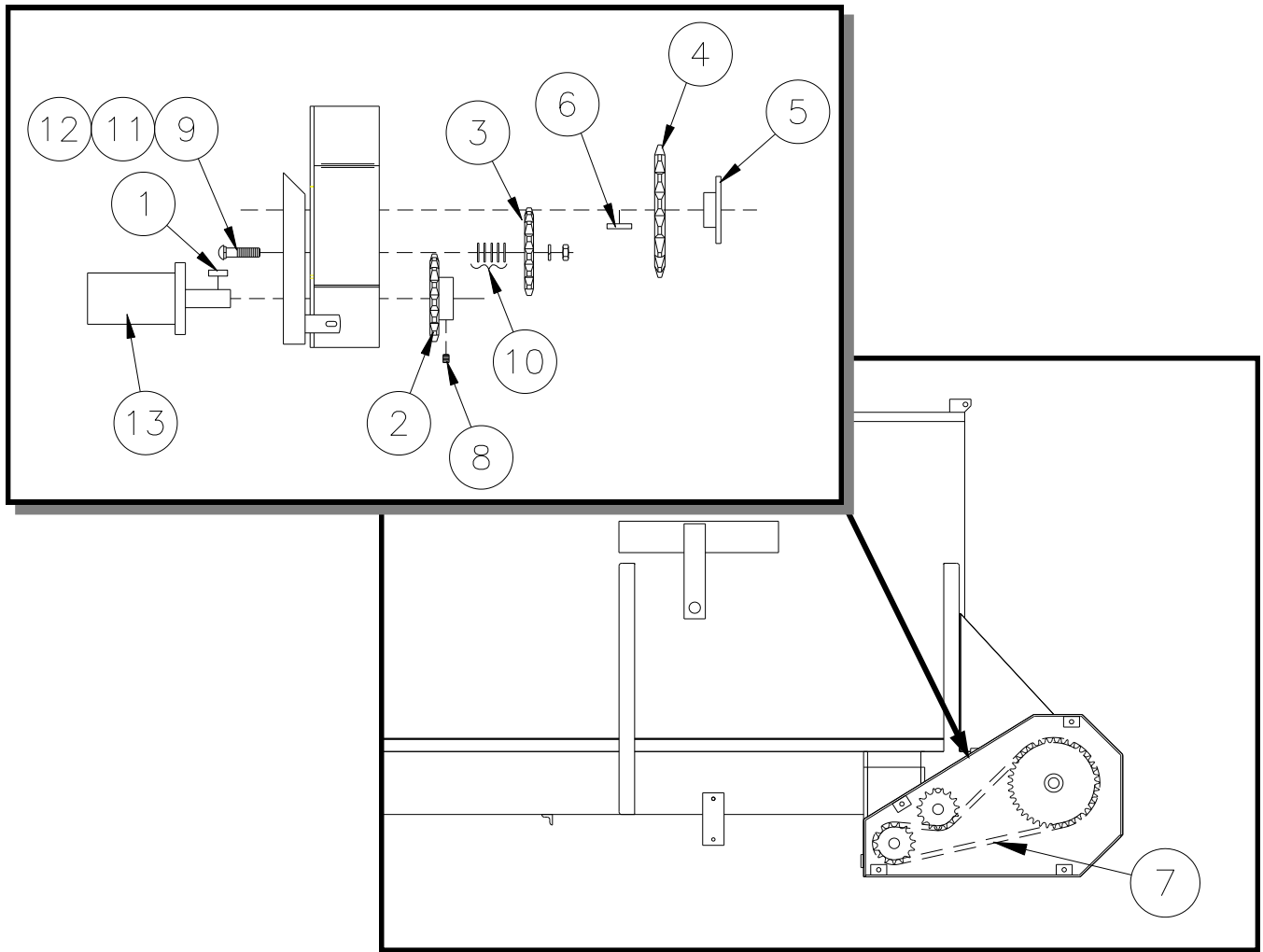
ITEM	PART NO	SERIAL NO OR YR	DESCRIPTION	QTY	
				STD	LP
1	42-080-150		BAR, LEVELER (HD)	21	21
2	42-052-048		CHAIN (667X-84) PR	1	1
	42-052-058		LINK, (667X-50)	2	2
	42-052-026		LINK, CONNECTOR (667X PINTLE)	2	2
	42-052-060		PIN & COTTER, REPAIR (667X PINTLE)	2	2
3	48-090090		CAPSCREW, 3/8 X 1 G5 PLT	42	42
4	72-020030		LOCKNUT, 3/8 PLT	42	42
5	42-052-052		SPROCKET, H60SH15	1	1
6	42-052-054		CHAIN, RC 60H44P	1	1
7	03-026-016		KEY, 1/4 X 2	1	1
8	42-052-057		BUSHING, SH 1 1/2"	1	1

## REAR TANK



ITEM	PART NO	SERIAL NO OR YR	DESCRIPTION	QTY	
				STD	LP
1	33-051-011		BEARING UNIT, 1 1/2	2	2
2	09-061-006		VALVE, ADJ FLOW CONTROL	1	1
3	72-040100		JAM LOCKNUT, 1" NC HEX	2	2
4	48-090596		CAPSCREW, 1/2 X 1 3/4 G5 PLT	8	8
5	66-010250		LOCKWASHER, 1/2 PLT	8	8
6	68-010250		HEX NUT, 1/2 PLT	8	8
7	48-090032		CAPSCREW, 1/4 X 2 1/2 G5 PLT	1	1
8	62-010010		FLATWASHER, 1/4 PLT	3	3
9	66-010050		LOCKWASHER, 1/4 PLT	2	2
10	68-010050		HEX NUT, 1/4 PLT	2	2
11	48-090018		CAPSCREW, 1/4 X 3 G5 PLT	1	1
12	52-050010		CARRIAGE SCREW, 5/16 X 1 G5 PL	1	1
13	62-010050		FLATWASHER, 5/16 PLT	1	1
14	68-010100		HEX NUT, 5/16 PLT	1	1
15	48-090150		CAPSCREW, 3/8 X 1 1/4 G5 PLT	2	2
16	62-010100		FLATWASHER, 3/8 PLT	2	2
17	68-010150		HEX NUT, 3/8 PLT	2	2
18	66-010150		LOCKWASHER, 3/8 PLT	2	2
19	48-100550		CAPSCREW, 1 X 4 1/2 G5 PLT	1	1
20	66-010100		LOCKWASHER, 5/16 PLT	1	1
21	42-080-080		SHIELD, REAR COVER	1	1
22	42-080-162		FRAME, MAIN (HDSTD)	1	-
	42-080-159		FRAME, MAIN (HDLP)	-	1

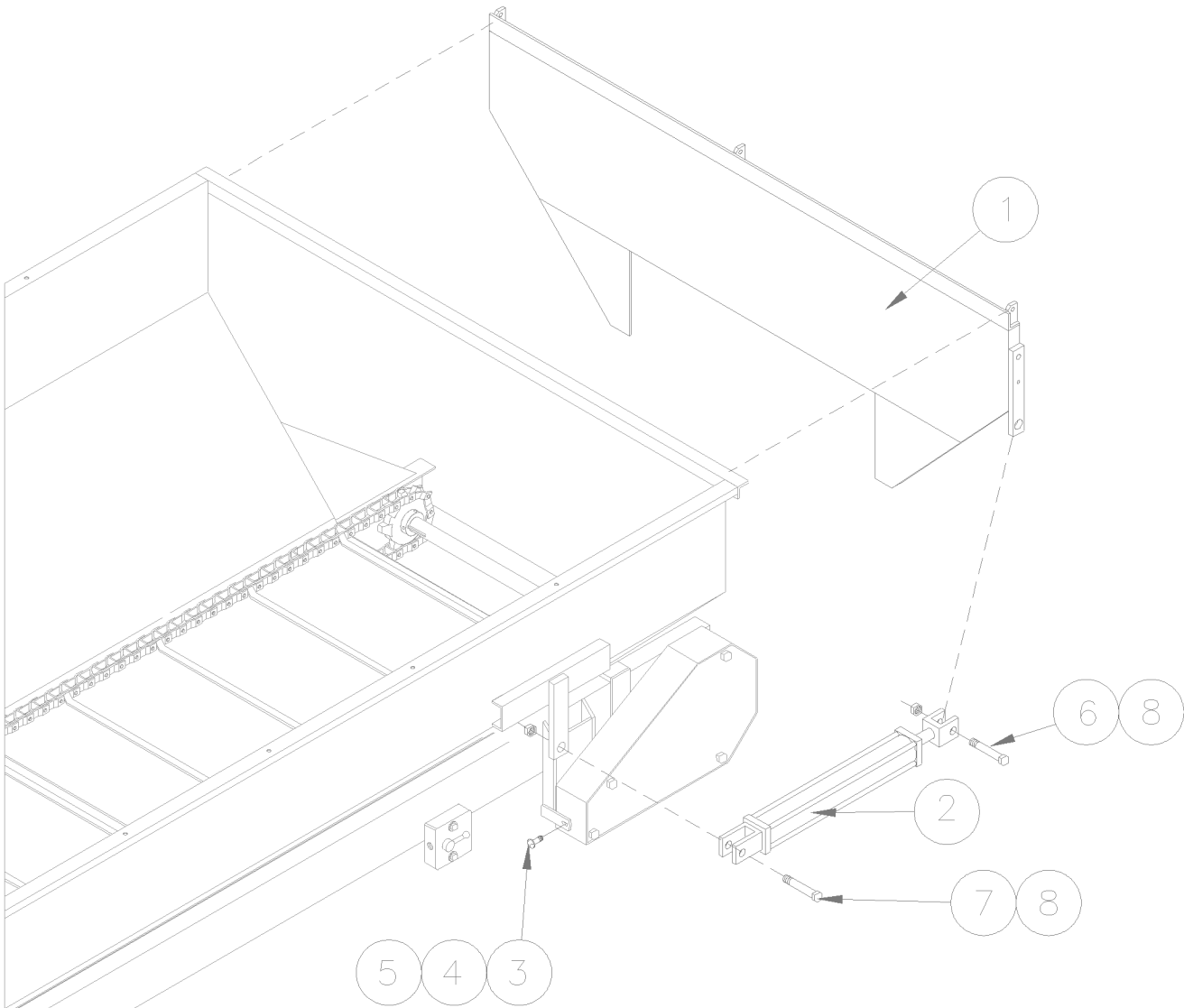
## UNLOADER DRIVES



ITEM	PART NO	SERIAL NO OR YR	DESCRIPTION	QTY
1	33-026-229		KEY, 5/16 X 1 1/4 SQ	1
2	42-052-031		SPROCKET, (#60-15T)	1
3	33-052-015		SPROCKET, #60 CHAIN	1
4	42-052-005		SPROCKET, #60 Q45	1
5	42-052-004		BUSHING, Q1-1/2 TAPER	1
6	33-026-087		KEY, 3/8 X 2 1/2	1
7	33-052-066		CHAIN, RC-60H76P	1
8	54-020010		SETScrew, 3/8 X 3/8 ALLEN HD	1
9	52-050370		CARRIAGE SCREW, 5/8 X 2 3/4	1
10	62-010250		FLATWASHER, 5/8 PLT	5
11	66-010300		LOCKWASHER, 5/8 PLT	1
12	68-010300		HEX NUT, 5/8 PLT	1
13	42-061-037		MOTOR, HYDRAULIC (UNLOADER)	1



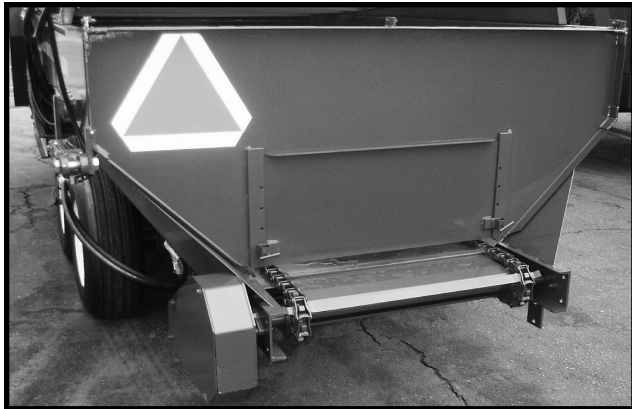
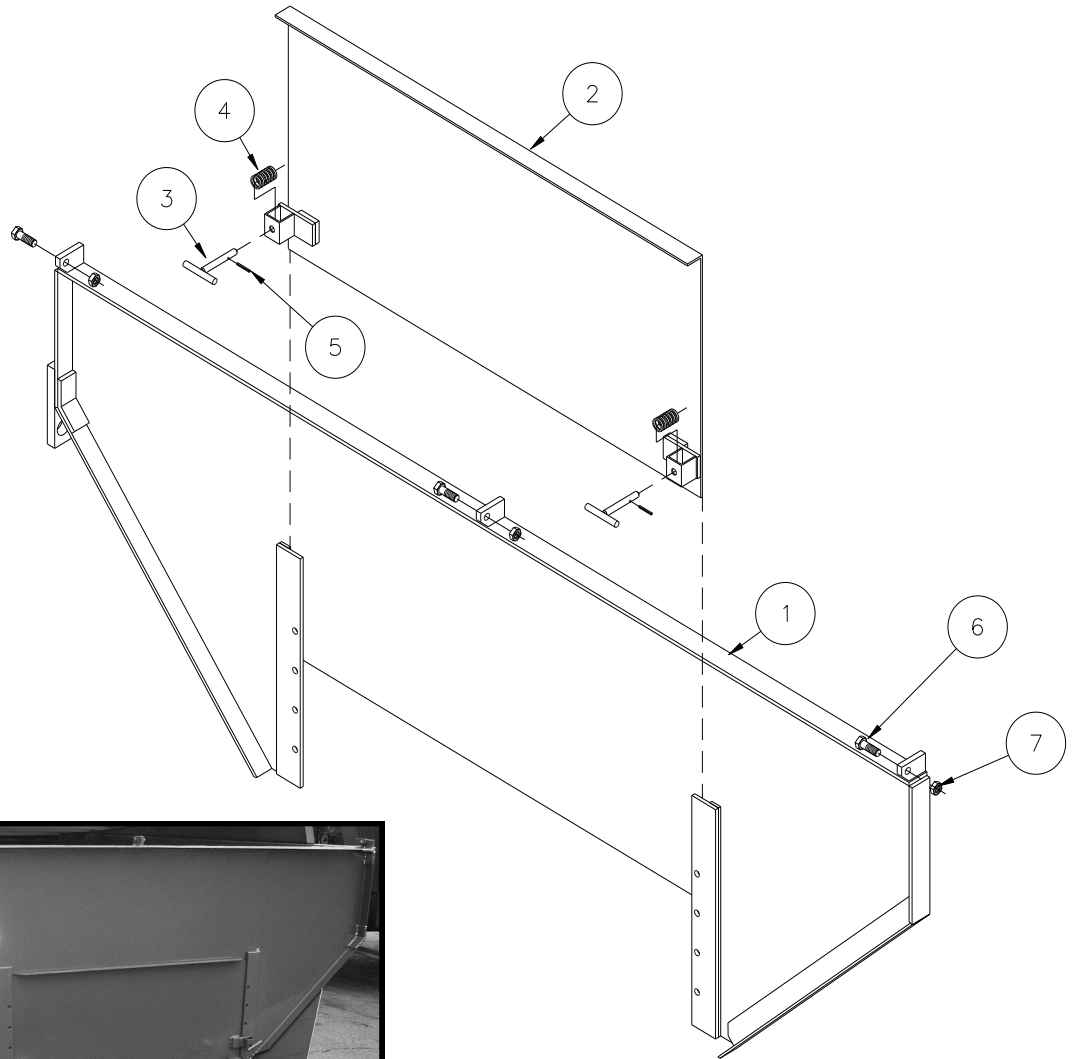
## REAR TANK DOOR



ITEM	PART NO	SERIAL NO OR YR	DESCRIPTION	QTY	
				STD	LP
1	42-081-011		DOOR, REAR DUMP	1	-
	42-081-013		DOOR, REAR DUMP	-	1
2	42-061-271		CYLINDER, 2 X 16 X 1 .125	1	-
	42-061-272		CYLINDER, 2 X 10 X 1.125	-	1
3	52-050010		CARRIAGE SCREW, 5/16 X 1 G5 P	1	1
4	62-010050		FLATWASHER, 5/16 PLT	1	1
5	68-010100		HEX NUT, 5/16 PLT	1	1
6	48-100550		CAPSCREW, 1 X 4 1/2 G5 PLT	1	1
7	48-100530		CAPSCREW, 1 X 4 G5 PLY	1	1
8	72-040100		JAM LOCKNUT, 1 NC HEX	2	2

**STD. REAR DOOR**  
(42-081-011)

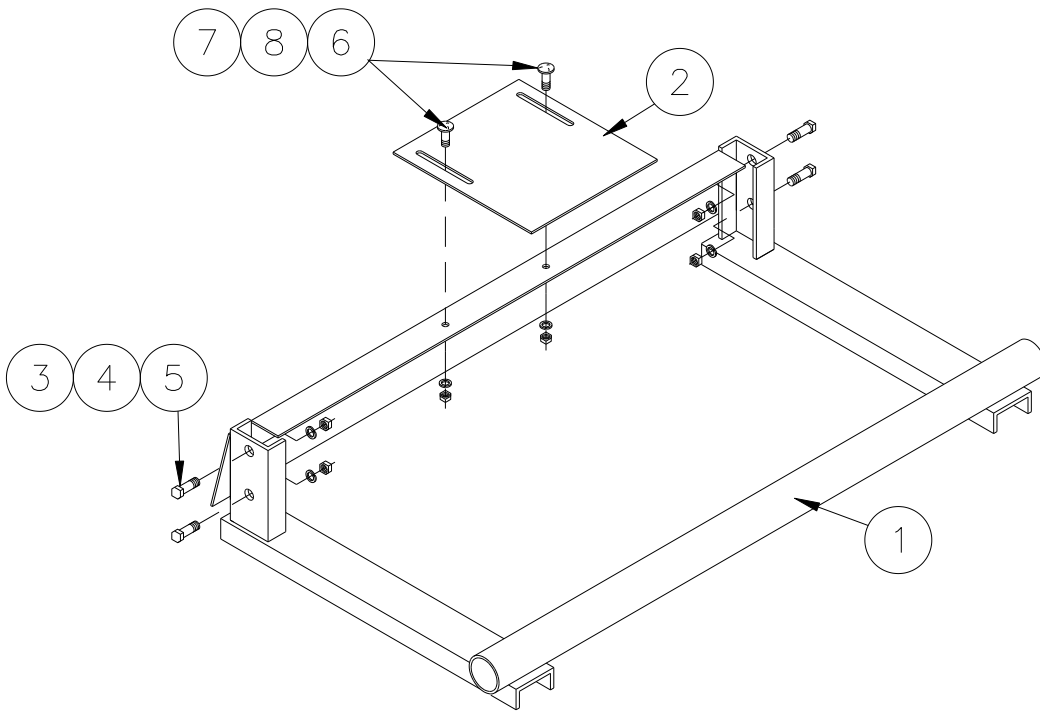
**L.P. REAR DOOR**  
(42-081-013)



ITEM	PART NO	SERIAL NO OR YR	DESCRIPTION	QTY	
				-011	-013
1	42-080-103		DOOR, REAR '95	1	-
	42-080-123		DOOR, REAR (LP)	-	1
2	42-080-105		METER, DOOR	1	1
3	42-080-083		PIN, DOOR	2	2
4	33-050-064		SPRING, 1/2 X 1 1/2	2	2
5	17-050-008		ROLL PIN, 1/8 X 3/4	2	2
6	48-090150		CAPSCREW, 3/8 X 1 1/4	3	3
7	72-010050		LOCKNUT, 3/8	3	3

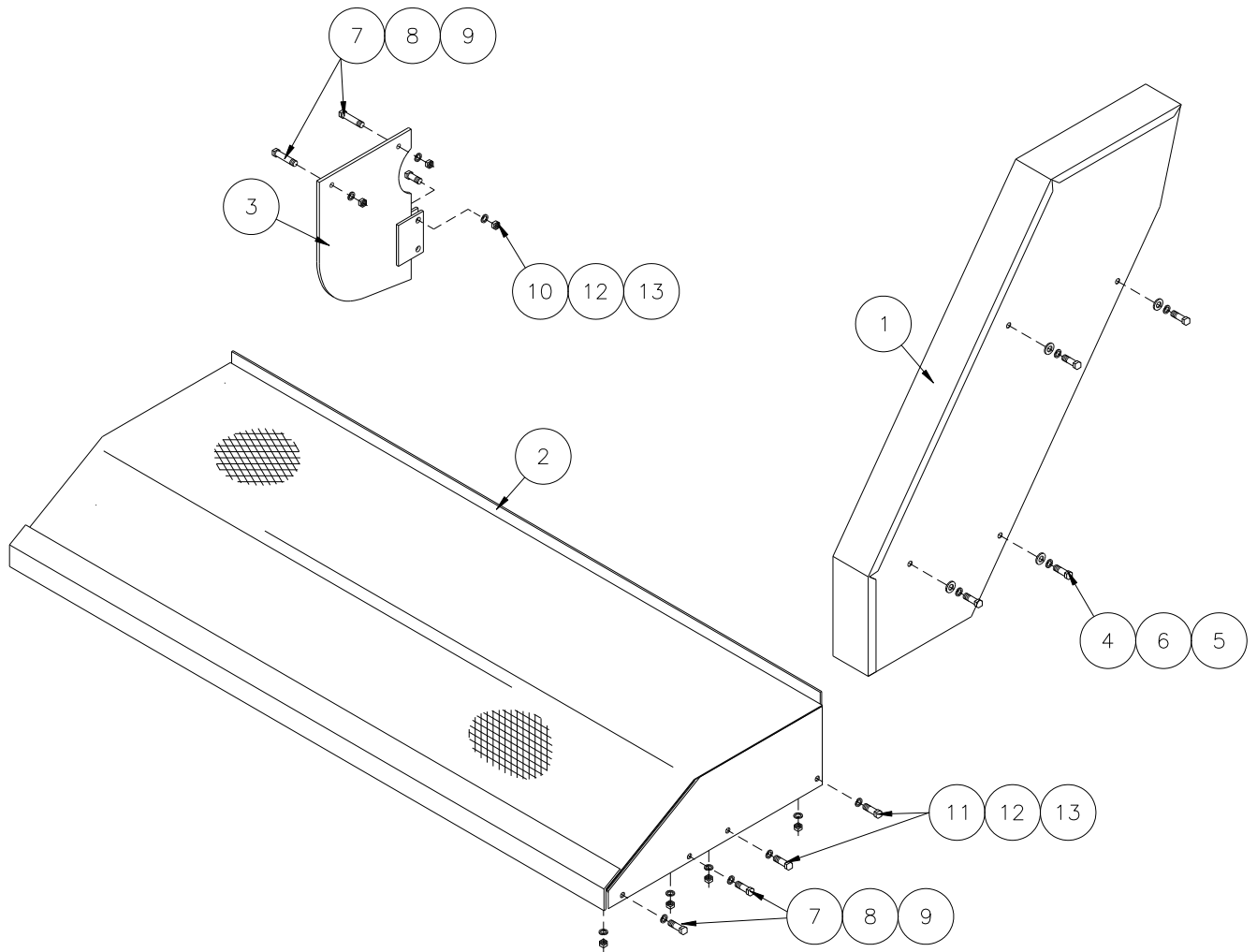
## REAR GUARD

(42-082-008)



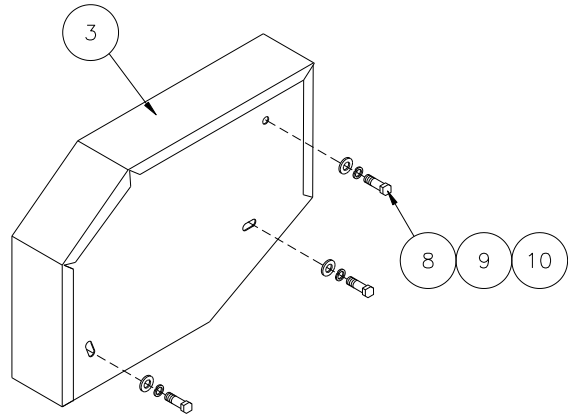
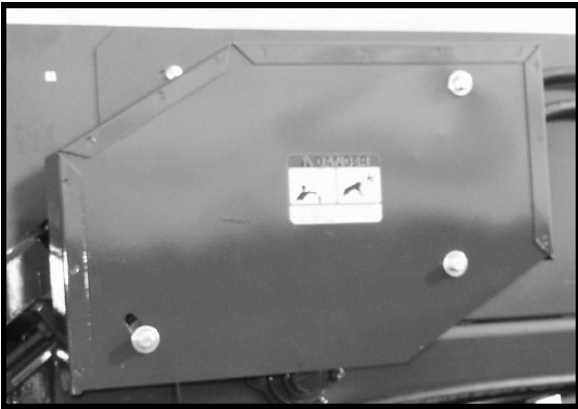
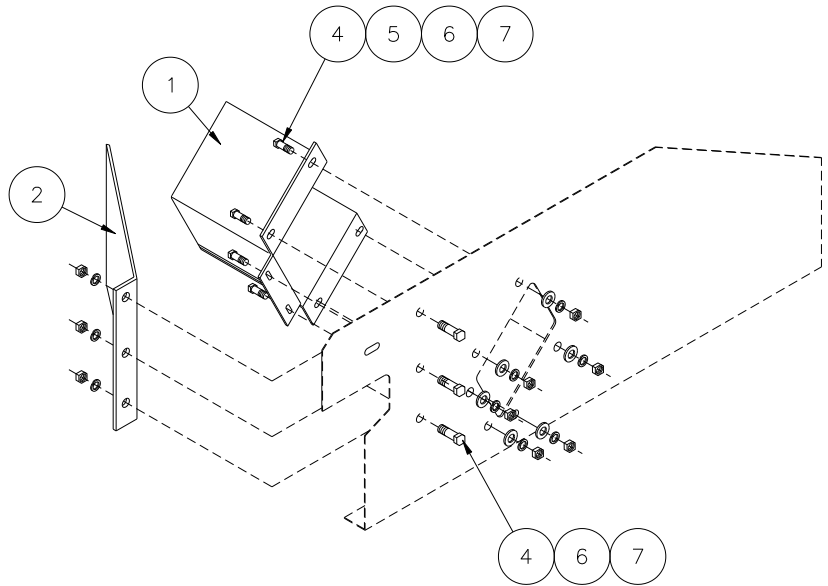
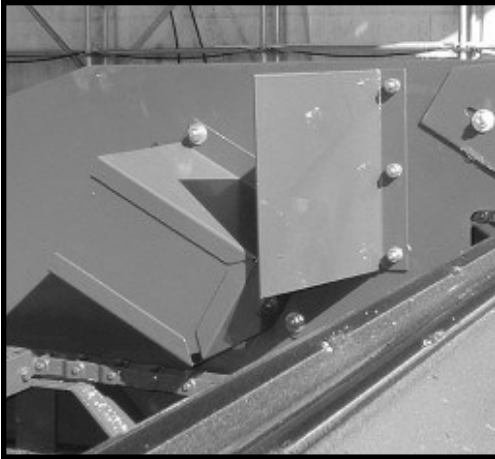
ITEM	PART NO	SERIAL NO OR YR	DESCRIPTION	QTY
1	42-080-128		REAR GUARD, '97	1
2	42-027-032		DIVERTER	1
3	48-090930		CAPSCREW, 5/8 X 1 1 /2 G5 P	4
4	68-010300		HEX NUT, 5/8 PLT	4
5	66-010300		LOCKWASHER, 5/8 PLT	4
6	52-050035		CARRIAGE SCREW, 3/8 X 1	2
7	66-010150		LOCKWASHER, 3/8 PLT	2
9	68-010150		HEX NUT, 3/8 PLT	2

## FRONT LOWER SHIELDS



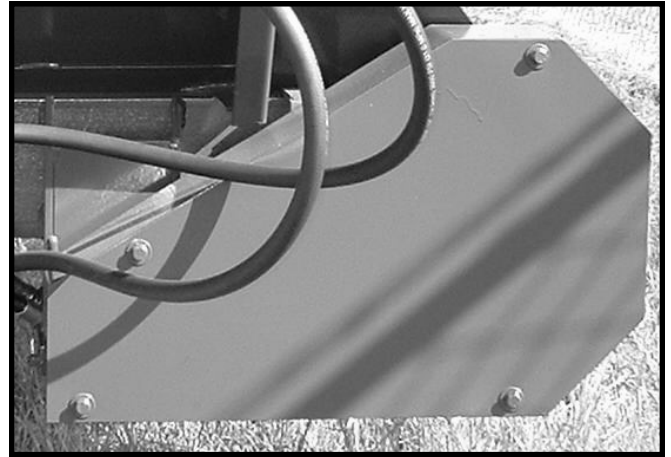
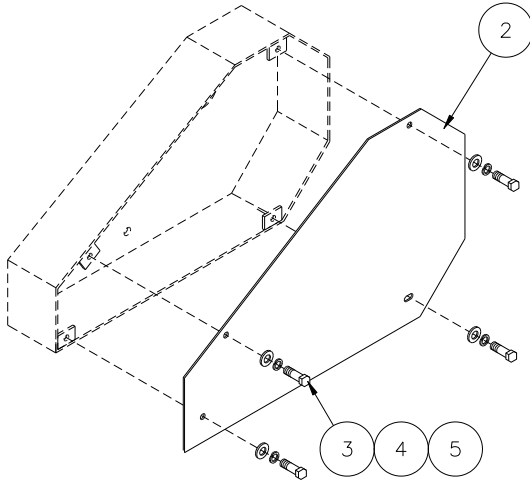
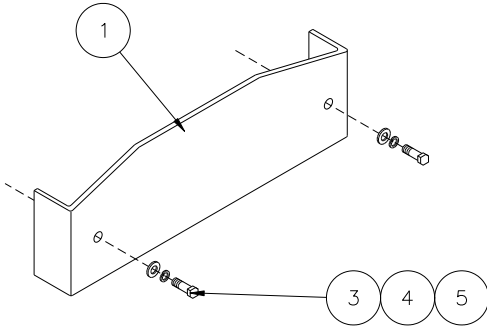
ITEM	PART NO	SERIAL NO OR YR	DESCRIPTION	QTY
1	42-080-074		SHIELD, MAIN DRIVE	1
2	42-080-091		SHIELD, FEEDER REEL	1
3	42-080-096		BLADE, SIDE	2
4	48-090100		CAPSCREW, 3/8 X 1 G5 PLT	4
5	62-010100		FLATWASHER, 3/8 PLT	4
6	66-010150		LOCKWASHER, 3/8 PLT	4
7	48-090350		CAPSCREW, 7/16 X 1 1/4 G5 PLT	4
8	66-010200		LOCKWASHER, 7/16 PLT	4
9	68-010150		HEX NUT, 7/16 PLT	4
10	48-090625		CAPSCREW, 1/2 X 2 1/2 G5 PLT	4
11	48-090595		CAPSCREW, 1/2 X 1 1/2 G5 PLT	4
12	66-010250		LOCKWASHER, 1/2 PLT	8
13	68-010250		HEX NUT, 1/ 2 PLT	4

## FRONT UPPER SHIELDS



ITEM	PART NO	SERIAL NO OR YR	DESCRIPTION	QTY
1	42-080-153		SHIELD, (HD) SIFTER	1
2	42-027-148		SHIELD, LEVELER DEFLECTOR	1
3	42-080-144		SHIELD, SIFTER DRIVE	1
4	48-090043		CAPSCREW, 5/16 X 3/4 G5 PLT	9
5	62-010050		FLATWASHER, 5/16 PLT	6
6	66-010100		LOCKWASHER, 5/16 PLT	9
7	68-010100		HEX NUT, 5/16 PLT	9
8	48-090100		CAPSCREW, 3/8 X 1 G5 PLT	3
9	66-010150		LOCKWASHER, 3/8 PLT	3
10	62-010100		FLATWASHER, 3/8 PLT	3

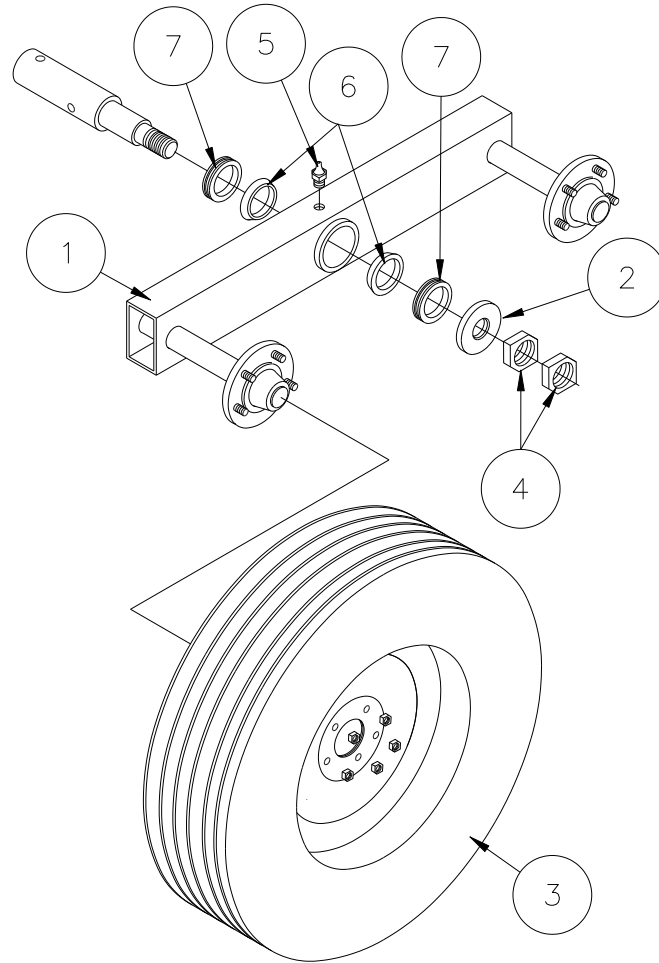
## REAR SHIELDS



ITEM	PART NO	SERIAL NO OR YR	DESCRIPTION	QTY
1	42-027-129		SHIELD, LEVELER DRIVE	1
2	42-027-081		COVER, SHIELD	1
3	48-090100		CAPSCREW, 3/8 X 1 G5 PLT	6
4	66-010150		LOCKWASHER, 3/8 PLT	6
5	62-010100		FLATWASHER, 3/8 PLT	6

**TANDEM ARM, 8 PLY**  
(42-081-008) (Optional)

**TANDEM ARM, 12 PLY**  
(42-081-024)



ITEM	PART NO	SERIAL NO OR YR	DESCRIPTION	QTY	
				-008	-024
*1	42-080-108		ARM, TANDEM	1	1
2	42-026-002		WASHER, TANDEM	1	1
3	42-081-003		TIRE AND WHEEL ASSY	2	-
	42-058-005		TIRE, (9.5L-15SL)	2	-
	05-058-005		WHEEL, 15 X 8	2	2
	18-050-021		STEM, VALVE	2	2
	42-081-022		TIRE AND WHEEL ASSY	-	2
	42-058-007		TIRE, 12-PLY (9.5L-15SL)	-	2
4	70-010300		JAM NUT, 1 1/2	2	2
*5	02-050-005		GREASE FITTING, 1/4-28	1	1
*6	21-051-006		CONE, BEARING	2	2
*7	42-056-001		SEAL, TANDEM	2	2

\* These items make up Tandem Arm Assy (42-081-012)

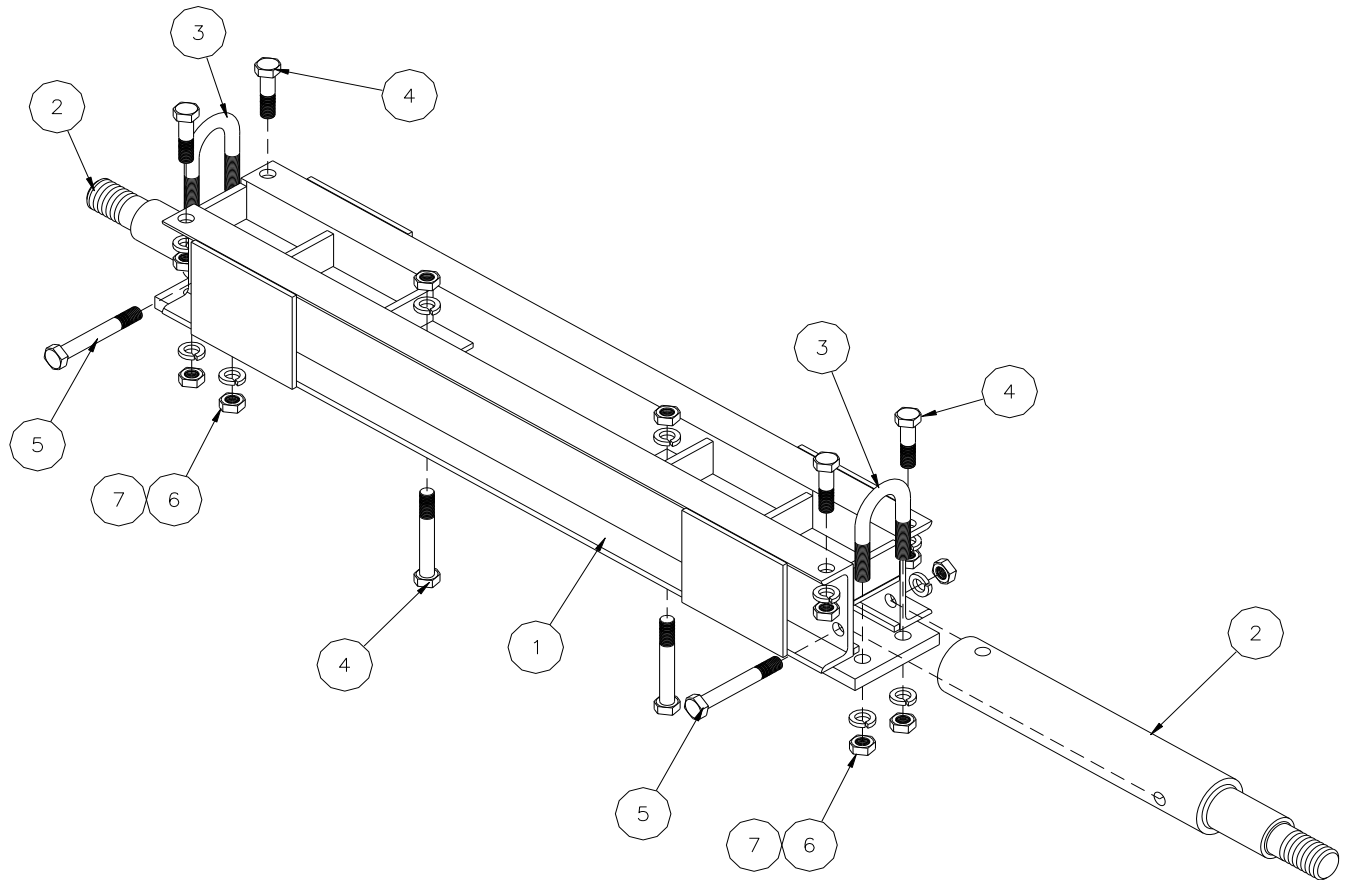
## TANDEM AXLE HUB AND SPINDLE PARTS

(21-058-007) NOT SHOWN

ITEM	PART NO	SERIAL NO OR YR	DESCRIPTION	QTY
1	21-056-003		SEAL, TRI-LPY	1
2	41-056-005		SLEEVE, WEAR	1
3	21-058-010		SPINDLE, 12 1/2"	1

## TANDEM AXLE

(42-081-029)



ITEM	PART NO	SERIAL NO OR YR	DESCRIPTION	QTY
1	42-080-168		AXLE, TANDEM	1
2	42-026-037		SPINDLE, TANDEM	2
3	42-050-029		U-BOLT, 5/8 X 3-13/16 X 2-15/16	2
4	48-200029		CAPSCREW, 5/8 X 2 G8 PLT	4
5	48-091075		CAPSCREW, 5/8 X 4 1/2 G5 PLT	4
6	66-010300		LOCKWASHER, 5/8 PLT	12
7	68-010300		HEX NUT, 5/8 PLT	12

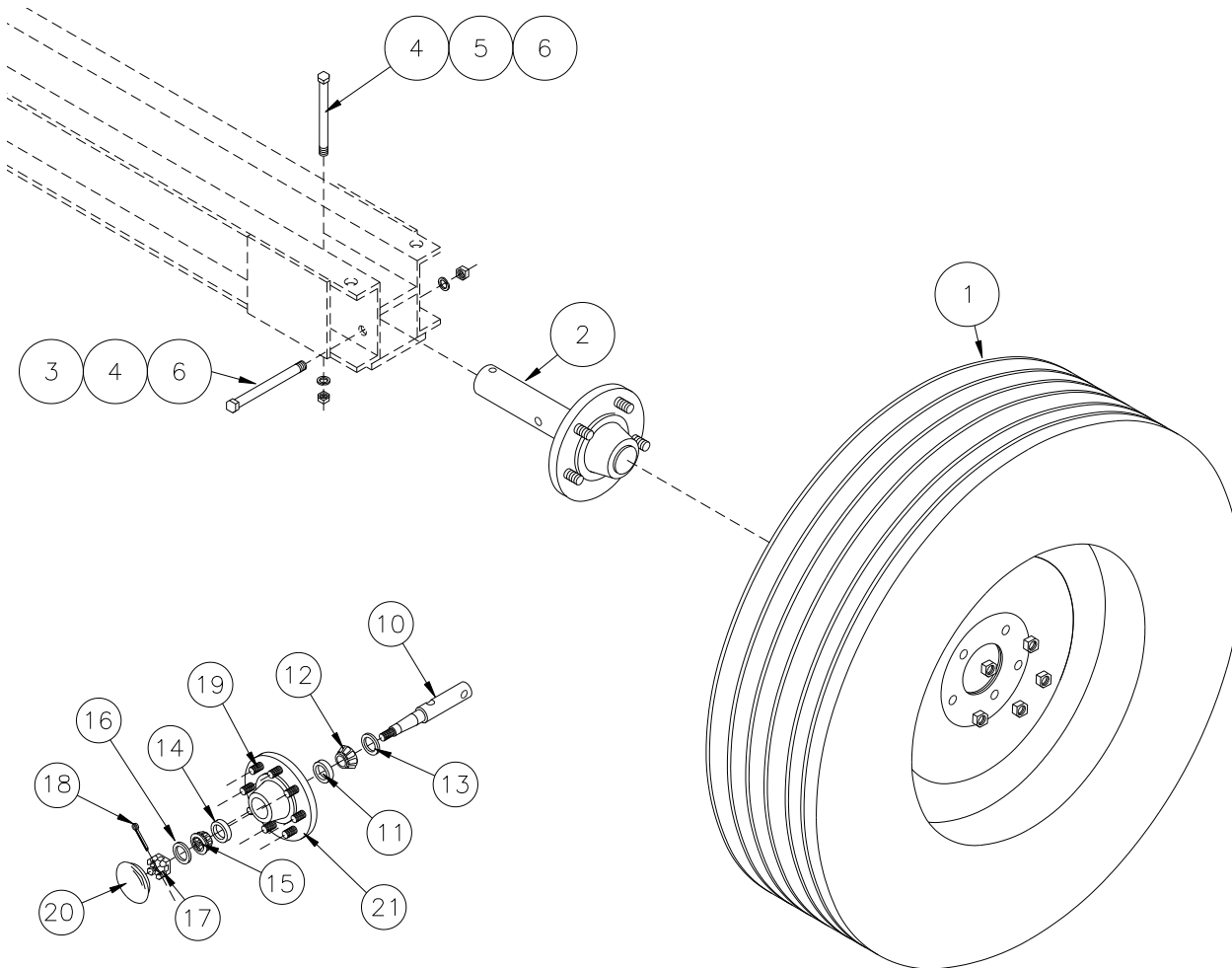


### 8 PLY SINGLE WHEEL

(42-081-010)

### 12 PLY SINGLE WHEEL

(42-081-030)



ITEM	PART NO	SERIAL NO OR YR	DESCRIPTION	QTY	
				-010	-030
1	42-081-004		TIRE AND RIM ASSEMBLY	1	-
	42-081-023		TIRE AND RIM ASSEMBLY	-	1
2	33-058-001		ASSEMBLY, HUB AND SPINDLE	1	1
3	48-091075		CAPSCREW, 5/8 X 4 1/2 G5 PLT	-	1
4	66-010300		LOCKWASHER, 5/8 PLT	2	2
5	48-091077		CAPSCREW, 5/8 X 4 3/4 G5 PLT	1	1
6	68-010300		HEX NUT, 5/8 PLT	2	2

### 8-PLY TIRE AND RIM ASSY

(42-081-004) (ITEM 1)

### 12 PLY TIRE AND RIM ASSY

(42-081-023) (ITEM 1)

ITEM	PART NO	SERIAL NO OR YR	DESCRIPTION	QTY	
				-010	-030
7	42-058-004		TIRE, 12.5L-16SL FARM (8-PLY)	1	-
	42-058-008		TIRE, 12.5L-16SL FARM (12-PLY)	-	1
8	42-058-003		WHEEL, 16 X W10L	1	1
9	18-050-021		STEM, VALVE	1	1

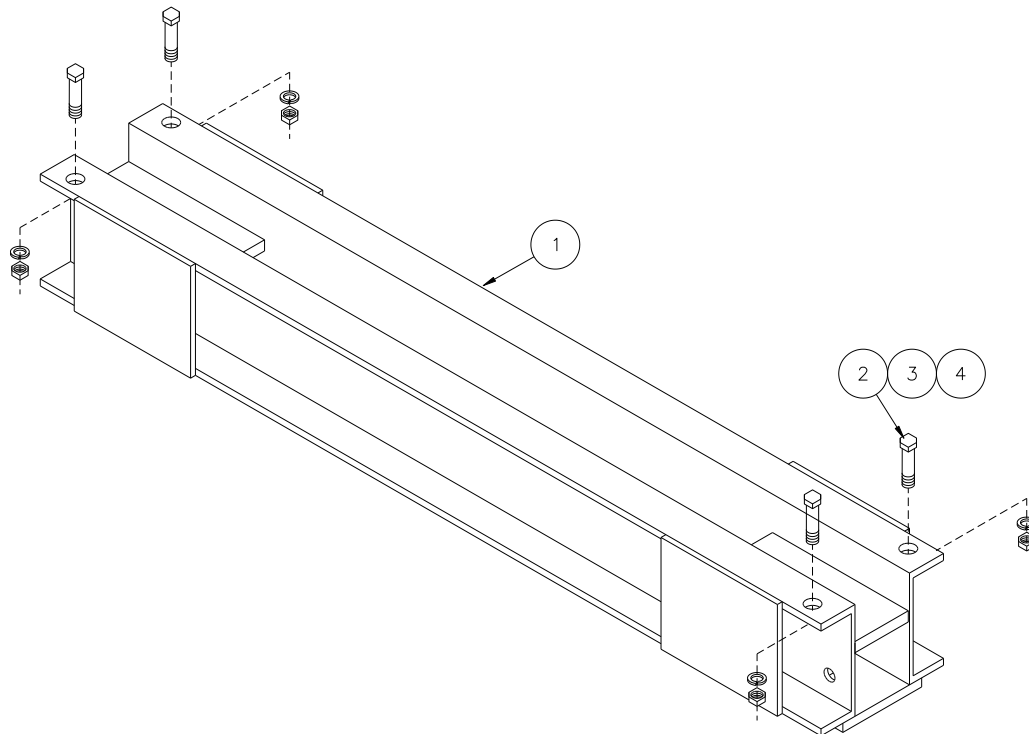
## HUB AND SPINDLE ASSEMBLY

(33-058-001) (ITEM 2) (Page 32)

ITEM	PART NO	SERIAL NO OR YR	DESCRIPTION	QTY
10	33-050-016		SPINDLE	2
11	33-051-017		INNER CUP	2
12	33-051-018		INNER CONE	2
13	33-056-007		SEAL	2
14	02-051-007		OUTER CUP	2
15	02-051-008		OUTER CONE	2
16	33-058-007		SPINDLE WASHER	2
17	68-030110		SPINDLE NUT, 1" NF	2
18	76-010150		SPINDLE COTTER PIN, 3/16 X 2	2
19	33-058-004		STUD	16
20	33-058-005		DUST CAP	2
21	33-058-006		HUB	2

## SINGLE AXLE

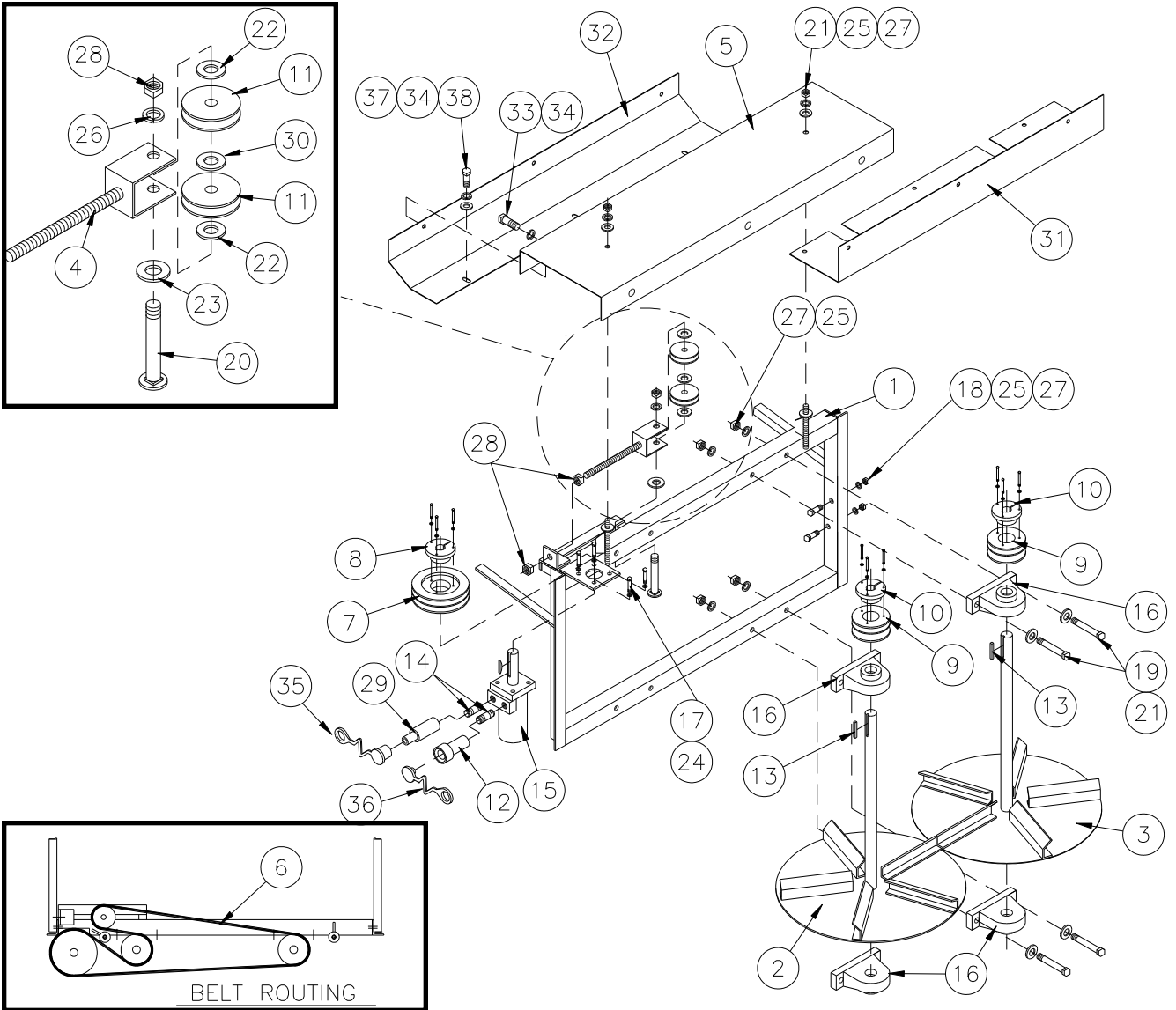
(42-081-009)



ITEM	PART NO	SERIAL NO OR YR	DESCRIPTION	QTY
1	42-080-054		AXLE, SINGLE	1
2	48-200029		CAPSCREW, 5/8 X 2 G5 PLT	4
3	66-010300		LOCKWASHER, 5/8 PLT	4
4	68-010300		HEX NUT, 5/8 PLT	4

# SPREADER FRAME ASSEMBLY

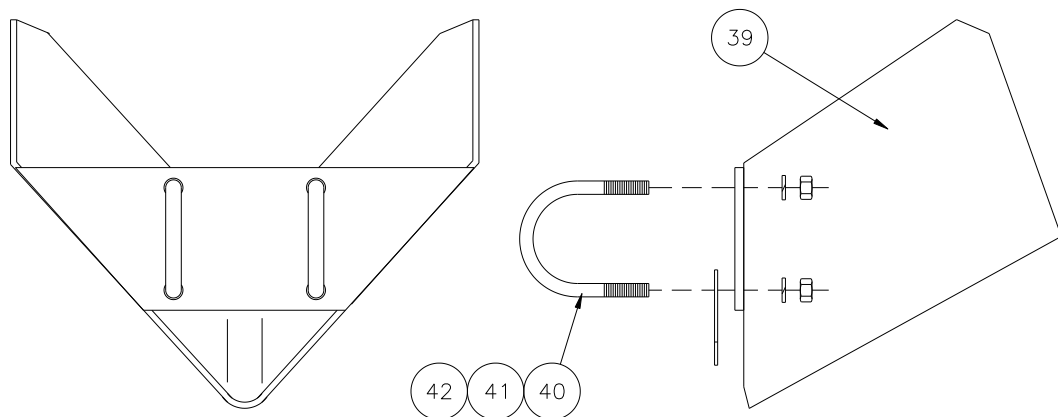
(42-082-001)



ITEM	PART NO	SERIAL NO OR YR	DESCRIPTION	QTY
1	42-080-052		FRAME, SPREADER	1
2	42-080-049		SPREADER, LT	1
3	42-080-050		SPREADER, RT	1
4	42-080-051		BRACKET, BELT TENSION IDLER	1
5	42-027-046		SHIELD, SPREADER	1
6	42-053-003		V-BELT, BB85	2
7	42-053-004		PULLEY, 2B56SDS	1
8	33-053-101		TAPER BUSHING, SDS 1"	1
9	42-053-006		PULLEY, 2B36SH	2
10	42-053-007		BUSHING, SH-1 1/4"	2
11	42-053-008		PULLEY, IDLER	2
12	42-061-041		HYDRAULIC COUPLER, 1/2 NPT	1
13	03-026-016		KEY, 1/4 X 2	2

ITEM	PART NO	SERIAL NO OR YR	DESCRIPTION	QTY
14	07-050-002		NIPPLE, 1/2 X 1 NPT	2
15	09-061-001		MOTOR, 5.9 HYDRUALIC	1
16	33-051-035		BEARING, 1 1/4 PILLOW	4
17	48-090100		CAPSCREW, 3/8 X 1 G5 PLT	4
18	48-090595		CAPSCREW, 1/2 X 1 1/2 G5 PLT	4
19	48-090600		CAPSCREW, 1/2 X 2 G5 PLT	8
20	52-050374		CARRIAGE SCREW, 5/8 X 3 1/2 G5 PLT	1
21	62-010200		FLATWASHER, 1/2 PLT	10
22	62-010250		FLATWASHER, 5/8 PLT	2
23	62-010300		FLATWASHER, 3/4 PLT	1
24	66-010150		LOCKWASHER, 3/8 PLT	4
25	66-010250		LOCKWASHER, 1/2 PLT	14
26	66-010300		LOCKWASHER, 5/8 PLT	1
27	68-010250		HEX NUT, 1/2 PLT	14
28	68-010300		HEX NUT, 5/8 PLT	3
29	42-061-042		HYDRAULIC NIPPLE, 1/2 NPT	1
30	22-050-010		FLATWASHER, PRESS WHEEL	1
31	42-080-130		SHIELD, SPREADER REAR	1
32	42-080-129		SHIELD, SPREADER FRONT	1
33	48-090078		CAPSCREW, 3/8 X 1/2 G5 PLT	6
34	66-010150		LOCKWASHER, 3/8 PLT	9
35	42-061-066		PLUG, HYD COUPLER-FEMALE	1
36	42-061-067		PLUG, HYD COUPLER-MALE	1
37	48-090090		CAPSCREW, 3/8 X 3/4 G5 PLT	3
38	62-010100		FLATWASHER, 3/8 PLT	3

### SPREADER V-DIVERTER

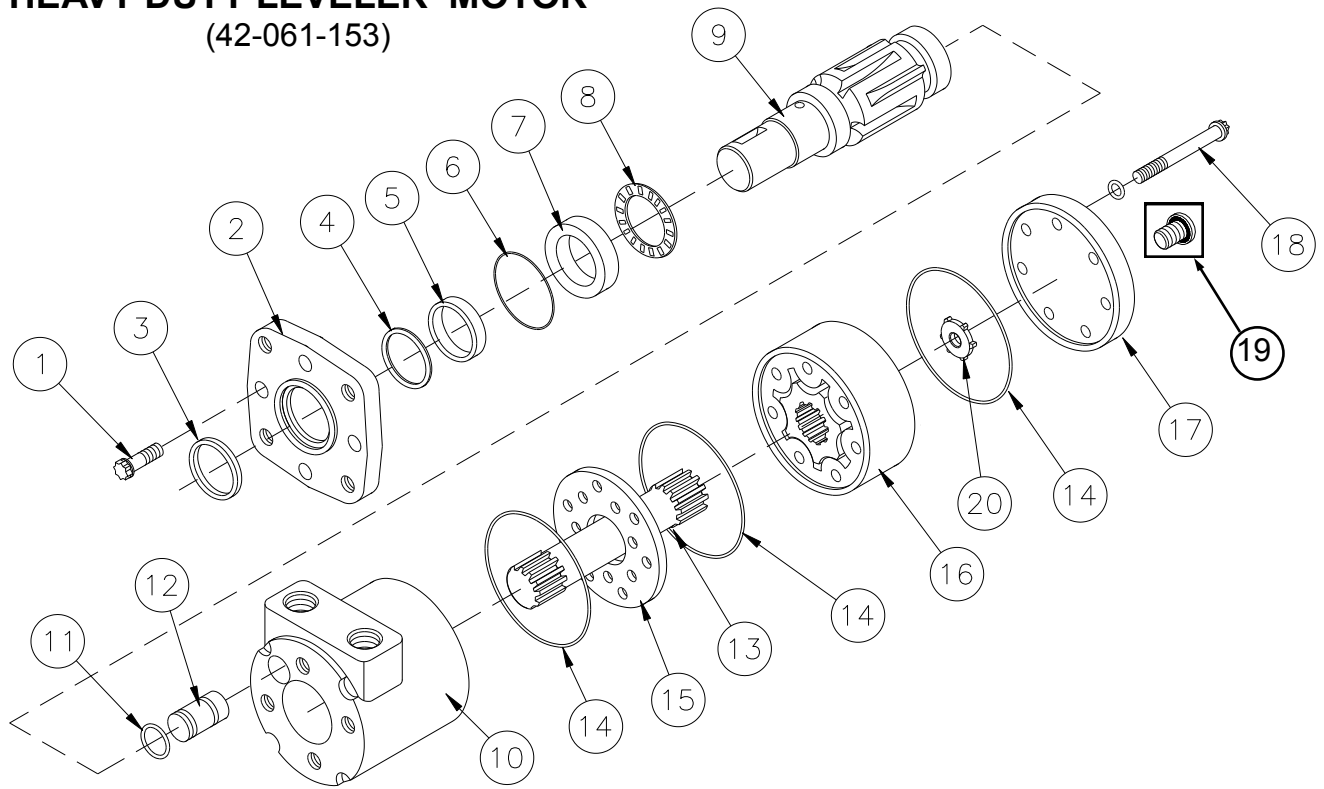


ITEM	PART NO	SERIAL NO OR YR	DESCRIPTION	QTY
39	42-080-135		V-DIVERTER	1
40	42-050-025		"U"-BOLT, 3/8 X 2 7/8 X 2	2
41	66-010150		LOCKWASHER, 3/8	4
42	68-010150		HEX NUT, 3/8	4

BLANK  
PAGE

# HEAVY DUTY LEVELER MOTOR

(42-061-153)

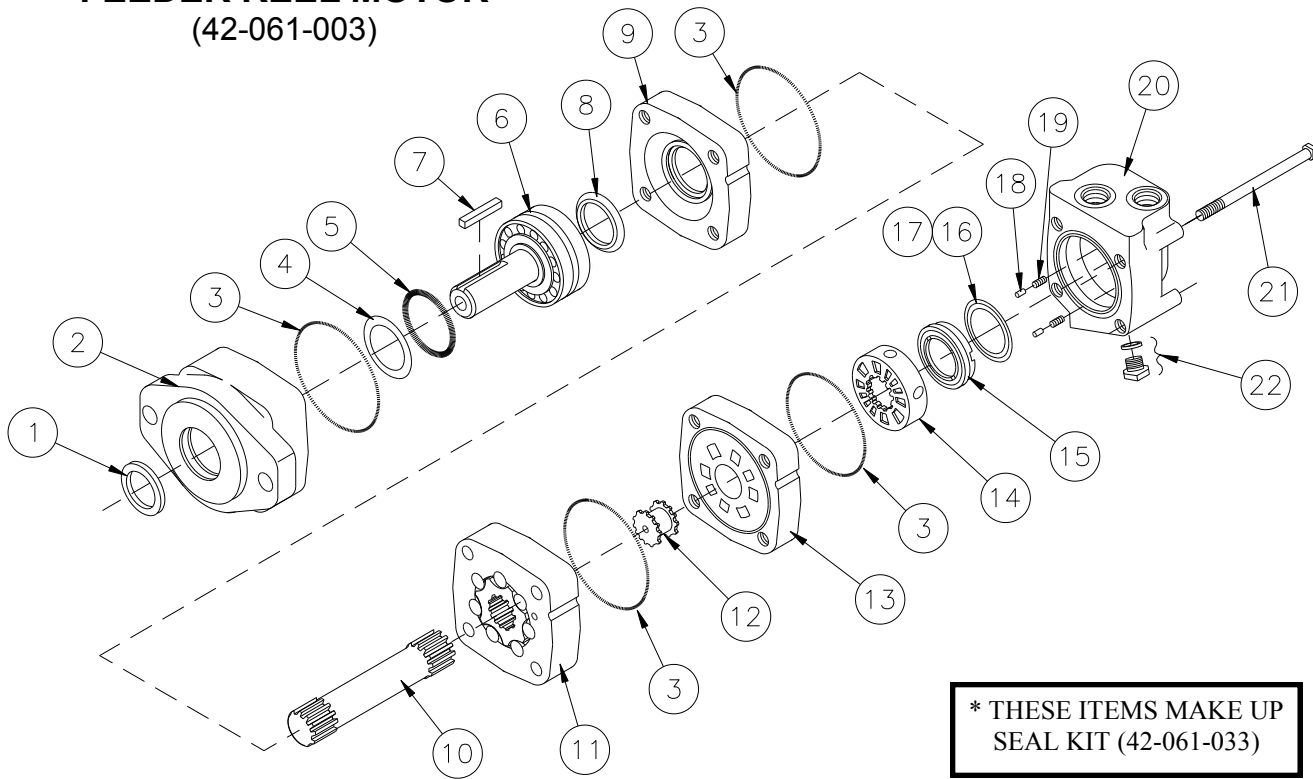


ITEM	PART NO	SERIAL NO OR YR	DESCRIPTION	QTY
1	42-061-070		CAPSCREW, 5/16 X 7/8 UNF	4
2	42-061-068		FLANGE MOUNTING (4-BOLT)	1
*3	42-061-098		SEAL, EXCLUSION	1
*4	42-061-099		WASHER, BACK-UP	1
*5	42-061-100		SEAL, PRESSURE	1
*6	42-061-101		SEAL	1
7	42-061-102		RACE, THRUST BEARING	1
8	42-061-103		BEARING, THRUST NEEDLE	1
9	42-061-104		SHAFT, OUTPUT	1
10	42-061-189		HOUSING, 7/8-14 O-RING PORTS	1
13	42-061-196		DRIVE	1
*14	42-061-197		SEAL	3
15	42-061-198		PLATE, SPACER	1
16	420-61-199		GEROLER	1
17	42-061-200		CAP, END (NO PORT)	1
18	42-061-201		SCREW, CAP	7
19	42-061-202		PLUG/ORING	1

\*These Parts make up Hydraulic Motor Seal Kit (42-061-031)

# FEEDER REEL MOTOR

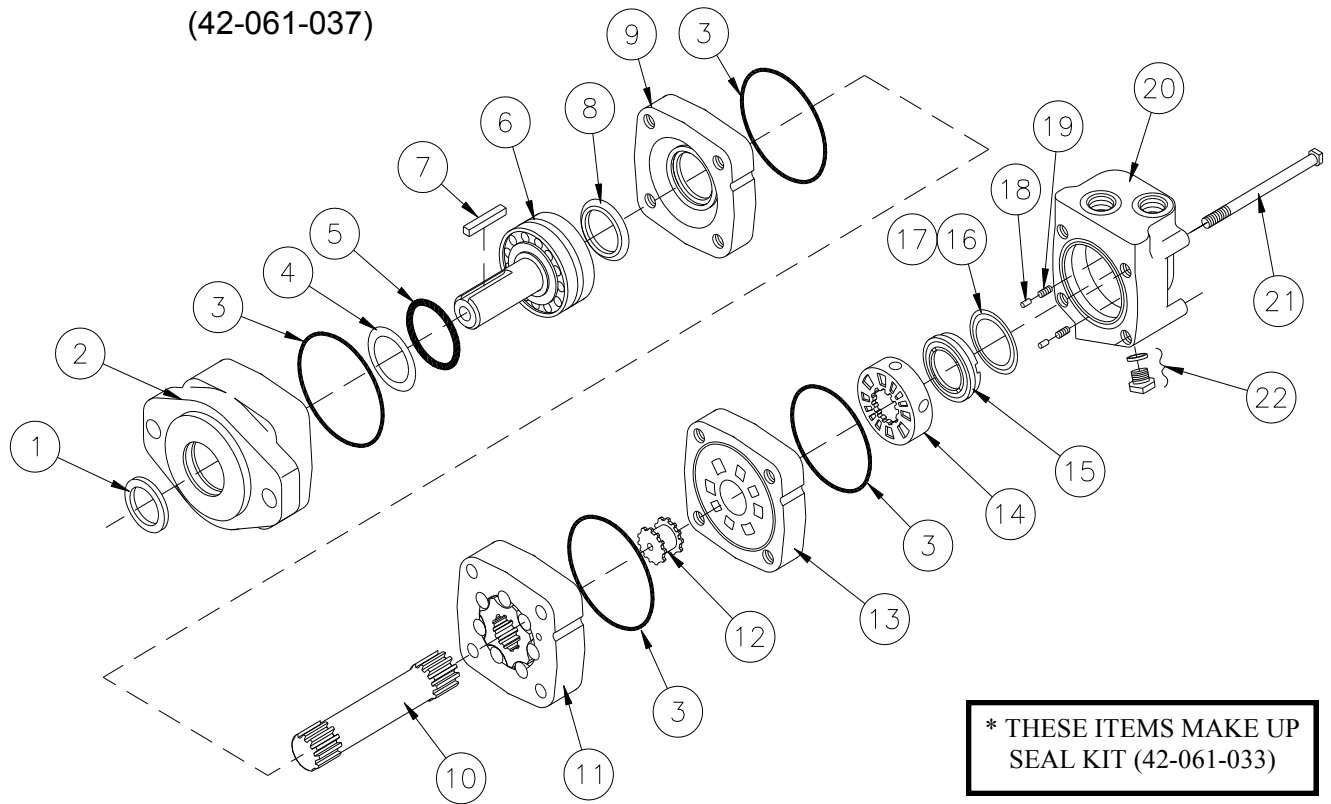
(42-061-003)



ITEM	PART NO	SERIAL NO OR YR	DESCRIPTION	QTY
*1	42-061-125		SEAL, EXCLUSION	1
2	42-061-126		HOUSING, BEARING	1
*3	42-061-127		SEAL, 3" ID	4
*4	42-061-128		RING, BACKUP	1
*5	42-061-129		SEAL, SHAFT	1
6	42-061-130		SHAFT & BEARING, 1 1/4"	1
7	42-061-131		KEY	1
*8	42-061-132		SEAL, SHAFT FACE	1
9	42-061-133		PLATE, WEAR	1
10	42-061-134		DRIVE	1
11	42-061-136		GEROLER	1
12	42-061-138		DRIVE, VALVE	1
13	42-061-139		PLATE, VALVE	1
14	42-061-140		VALVE	1
15	42-061-141		BALANCE RING	1
*16	42-061-142		SEAL, FACE, INNER	1
*17	42-061-143		SEAL, FACE, OUTER	1
18	42-061-144		PIN	2
19	42-061-145		SPRING	2
20	42-061-146		HOUSING, VALVE	1
21	42-061-147		BOLT	4
22	42-061-149		PLUG ASSEMBLY, 7/16-20 UNF	1

# UNLOADER REEL MOTOR

(42-061-037)

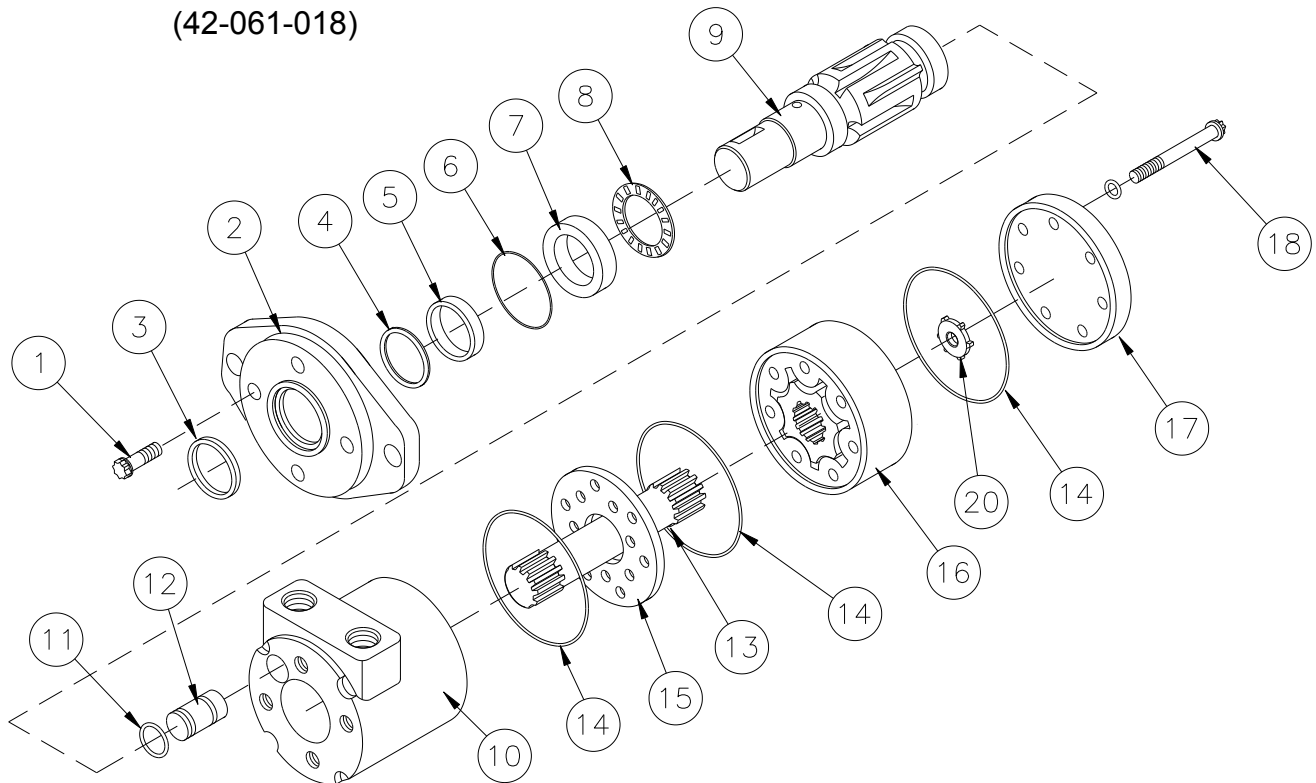


ITEM	PART NO	SERIAL NO OR YR	DESCRIPTION	QTY
*1	42-061-125		SEAL, EXCLUSION	1
2	42-061-126		HOUSING, BEARING	1
*3	42-061-127		SEAL, 3" ID	4
*4	42-061-128		RING, BACKUP	1
*5	42-061-129		SEAL, SHAFT	1
6	42-061-130		SHAFT & BEARING, 1 1/4"	1
7	42-061-131		KEY	1
*8	42-061-132		SEAL, SHAFT FACE	1
9	42-061-133		PLATE, WEAR	1
10	42-061-135		DRIVE	1
11	42-061-137		GEROLER	1
12	42-061-138		DRIVE, VALVE	1
13	42-061-139		PLATE, VALVE	1
14	42-061-140		VALVE	1
15	42-061-141		BALANCE RING	1
*16	42-061-142		SEAL, FACE, INNER	1
*17	42-061-143		SEAL, FACE, OUTER	1
18	42-061-144		PIN	2
19	42-061-145		SPRING	2
20	42-061-146		HOUSING, VALVE	1
21	42-061-148		BOLT	4
22	42-061-149		PLUG ASSEMBLY, 7/16-20 UNF	1



# SIFTER MOTOR

(42-061-018)



ITEM	PART NO	SERIAL NO OR YR	DESCRIPTION	QTY
1	42-061-070		CAPSCREW, 5/16 X 7/8 UNF	4
2	42-061-069		FLANGE MOUNTING (2-BOLT)	1
*3	42-061-098		SEAL, EXCLUSION	1
*4	42-061-099		WASHER, BACK-UP	1
*5	42-061-100		SEAL, PRESSURE	1
*6	42-061-101		SEAL	1
7	42-061-102		RACE, THRUST BEARING	1
8	42-061-103		BEARING, THRUST NEEDLE	1
9	42-061-104		SHAFT, OUTPUT	1
10	42-061-105		HOUSING, 1/2 NPTF PORTS	1
*11	42-061-072		O-RING	1
12	42-061-073		PLUG	1
13	42-061-106		DRIVE	1
*14	42-061-107		SEAL	3
15	42-061-108		PLATE, SPACER	1
16	42-061-109		GEROTOR	1
17	42-061-110		CAP, END	1
18	42-061-111		CAPSCREW, 5/16 X 2 7/8 UNF	7

\*These Parts make up Hydraulic Motor Seal Kit (42-061-031)

**3 X 6 X 1.25 HYDRAULIC CYLINDER (BAILEY)**

(33-061-203) (6X30, 6X36, 6X40 & 8X30)  
(Used on Machines From 2014 to Present)

Bailey's Hydraulic Cylinder (33-061-203) will replace Energy's Hydraulic Cylinder (33-061-120).  
Bailey will not sale any repair parts except for a Seal Kit.

**USE SEAL KIT # 33-061-211**

---

**2 X 16 X 1.125 HYDRAULIC CYLINDER (BAILEY)**

(42-061-271)  
(Used on Machines From 2014 to Present)

Bailey's Hydraulic Cylinder (42-061-271) will replace Energy's Hydraulic Cylinder (42-061-112).  
Bailey will not sale any repair parts except for a Seal Kit.

**USE SEAL KIT # 42-061-273**

---

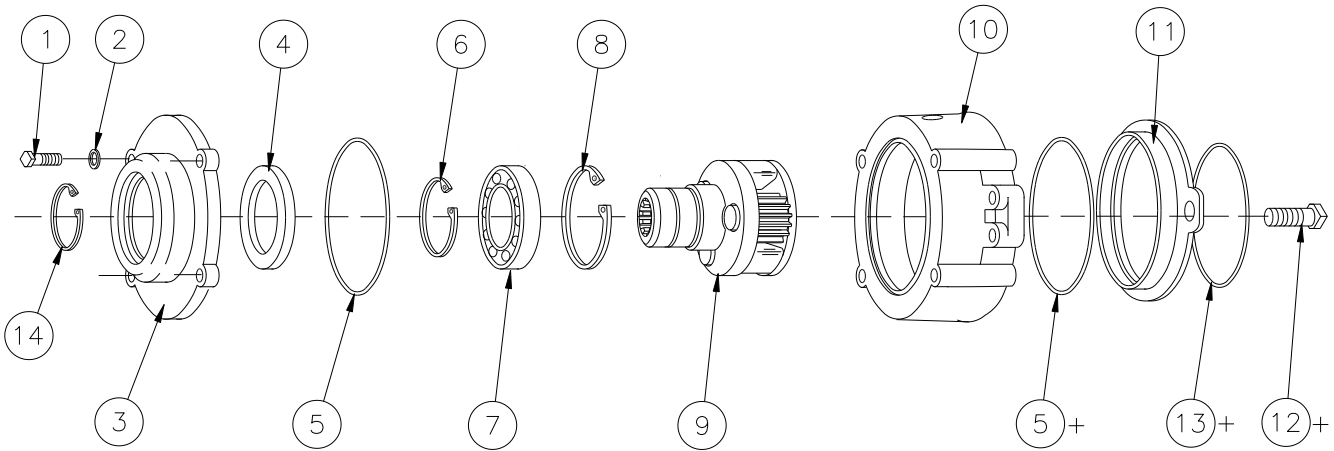
**2 X 10 X 1.125 HYDRAULIC CYLINDER**

(42-061-272) (Low Profile)  
(Used on Machines From 2014 to Present)

Bailey's Hydraulic Cylinder (42-061-272) will replace Energy's Hydraulic Cylinder (42-061-113).  
Bailey will not sale any repair parts except for a Seal Kit.

**USE SEAL KIT # 42-061-274**

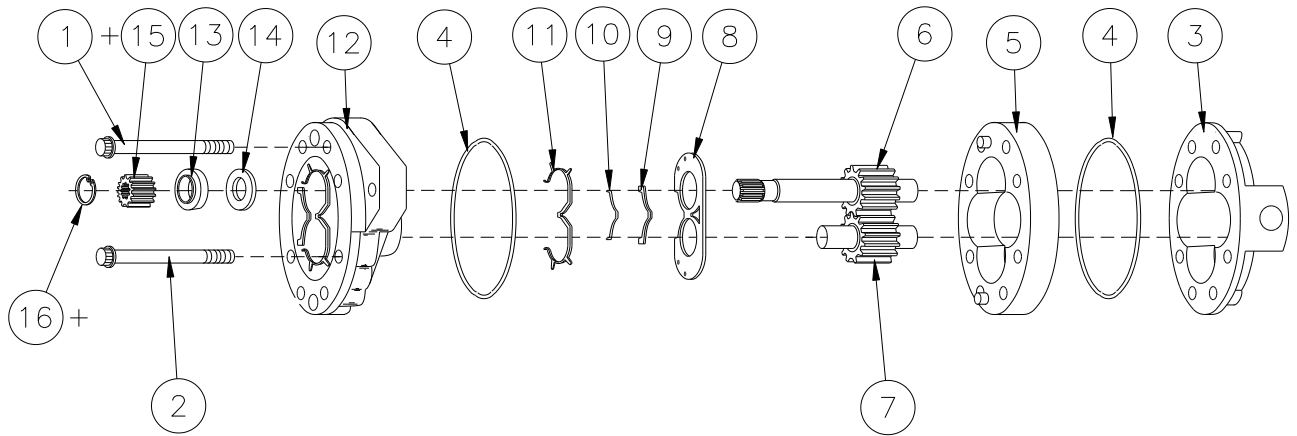
## PHC PUMP GEAR BOX (42-061-047)



ITEM	PART NO	SERIAL NO OR YR	DESCRIPTION	QTY
*1	48-090036		CAPSCREW, 5/16 X 1 G5 PLT	4
2	42-061-091		SERRATED WASHER	4
3	42-061-092		FRONT PLATE	1
4	42-061-049		SHAFT-SEAL	1
+5	42-061-048		O-RING, EATON PTO GB	2
6	42-061-093		RETAINING RING	1
7	42-061-094		CARRIER BEARING	1

ITEM	PART NO	SERIAL NO OR YR	DESCRIPTION	QTY
8	42-061-095		RETAINING RING	1
9	42-061-061		CARRIER ASSEMBLY	1
10	42-061-096		HOUSING	1
11	42-061-090		ADAPTER PLATE, INPUT	1
+12	48-090596		CAPSCREW, 1/2 X 1 3/4 G5 PLT	2
+13	42-061-045		O-RING, EATON PTO GB/PUMP INTERFACE	1

## GEAR PUMP(2.85 Ratio) (42-061-039)

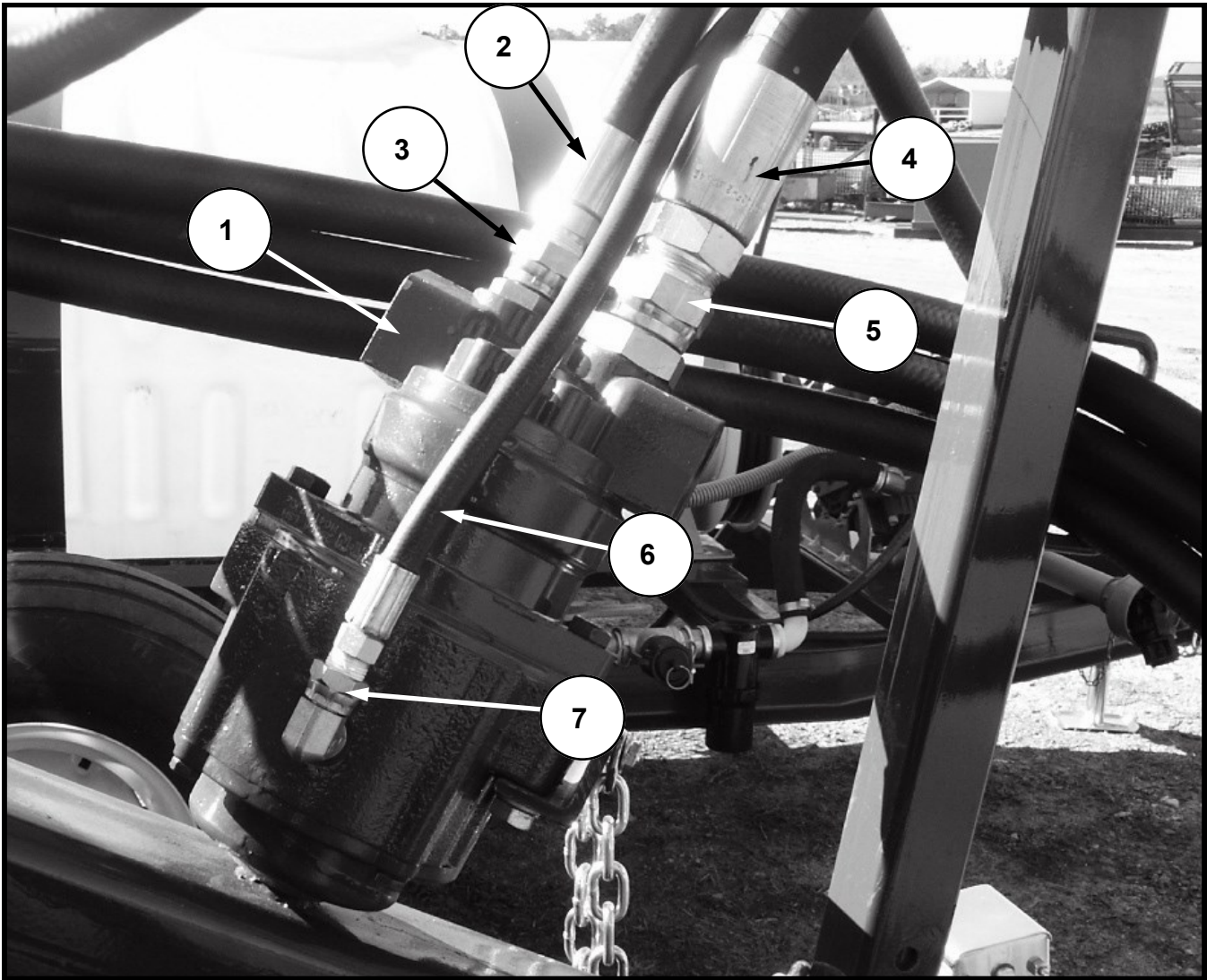


ITEM	PART NO	SERIAL NO OR YR	DESCRIPTION	QTY
1	42-061-077		CAPSCREW, 3/8 X 3 3/4 NC TX HD	4
2	42-061-078		CAPSCREW, 3/8 X 3 1/2 NC TX HD	4
3	42-061-071		BACKPLATE ASSEMBLY, PLAIN	1
*4	42-061-079		O-RING, 3/32" X 5" ID	2
5	42-061-080		BODY	1
6	42-061-081		DRIVE GEAR ASSEMBLY	1
7	42-061-082		IDLER GEAR ASSEMBLY	1
*8	42-061-083		WEAR PLATE	1
*9	42-061-084		BEARING SEAL	1
*10	42-061-085		MOLDED O-RING	1
*11	42-061-086		BACK-UP GASKET	1
12	42-061-087		FRONT PLATE	1
*13	42-061-088		SHAFT-SEAL	1
*14	42-061-089		WASHER	1
+15	42-061-046		SUN GEAR	1
+16	42-061-051		RING, RETAINING (SUN GEAR)	1

\*These Parts make up PTO Pump Seal Kit (42-061-038)

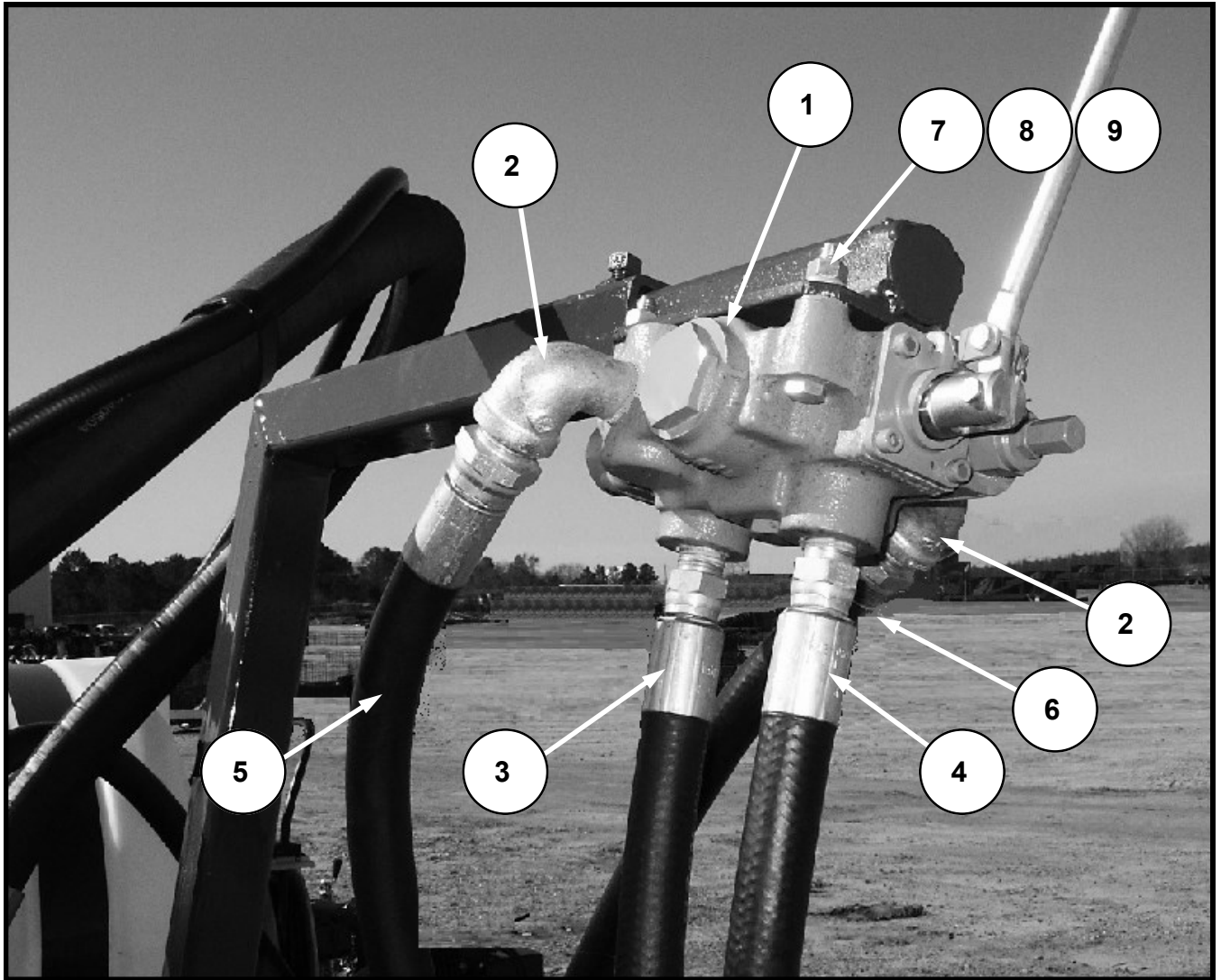
+These Parts are not included when ordering 42-061-039. They must be purchased separately.

## PTO PUMP HYDRAULICS



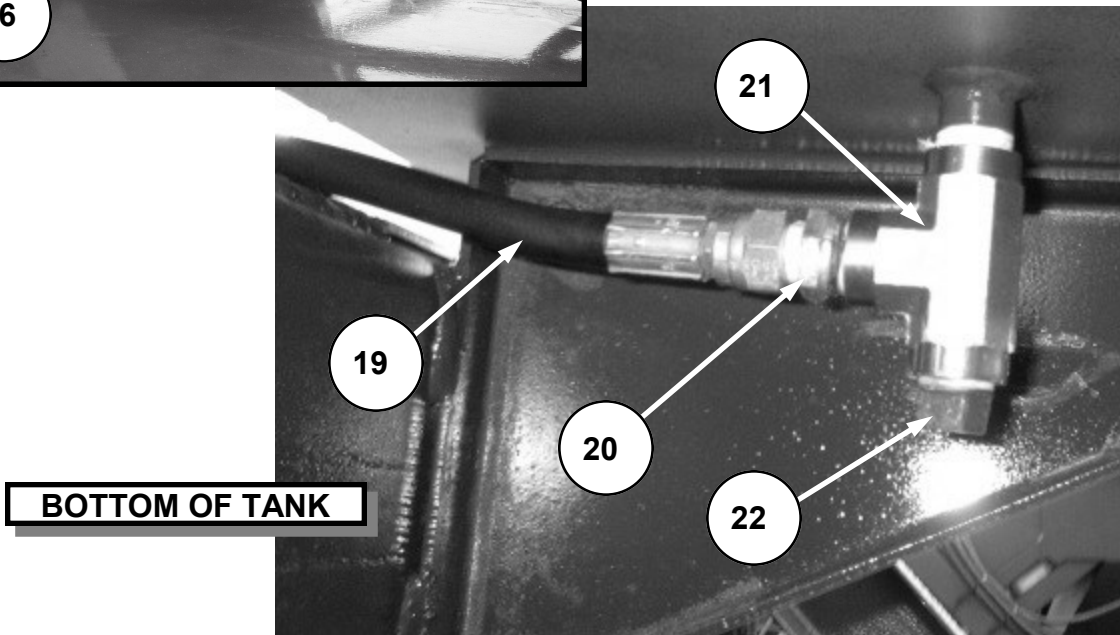
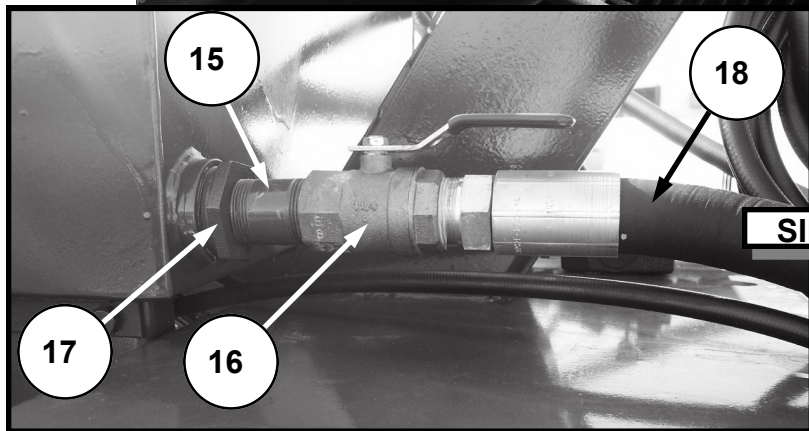
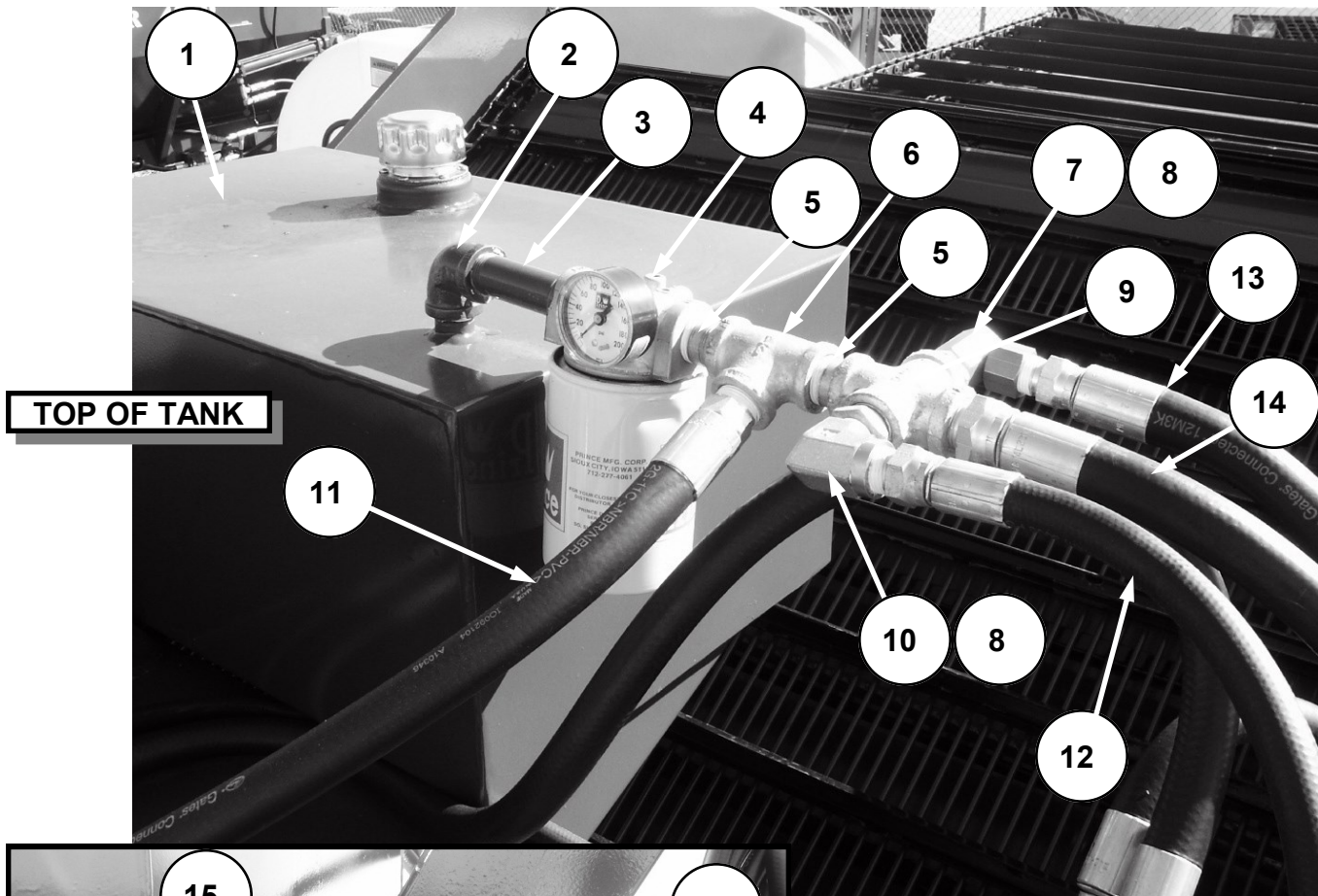
ITEM	PART NO	SERIAL NO OR YR	DESCRIPTION	QTY	
				STD	LP
1	42-061-013		PUMP, (2.85 RATIO) PTO	1	1
2	42-059-003		HOSE, 12M3K-12MP-12MPX-60"	1	1
3	42-059-014		ADAPTER (PUMP PRESSURE)	1	1
4	42-059-004		HOSE, 20G4H-20MP-20MP-88"	1	1
5	42-059-013		ADAPTER (SUCTION PUMP)	1	1
6	42-059-012		HOSE, 6M3K-6MP-6MPX-115"	1	1
7	42-059-015		ADAPTER (PUMP DRAIN)	1	1

## HYDRAULICS FOR MANUAL FLOOR CHAIN CONTROL



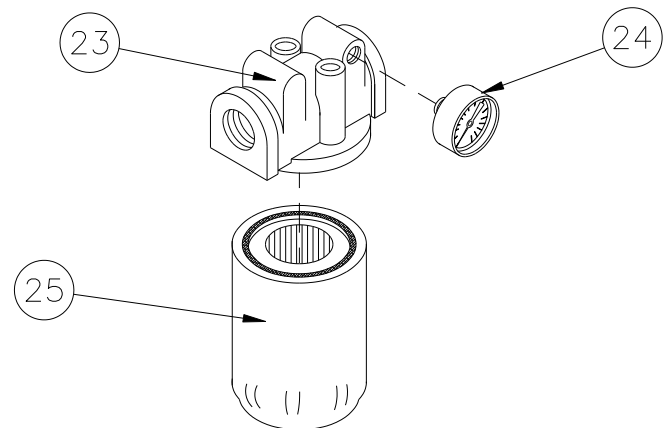
ITEM	PART NO	SERIAL NO OR YR	DESCRIPTION	QTY	
				STD	LP
1	42-061-014		CONTROL VALVE, SINGLE SPOOL	1	1
2	42-050-008		STREET ELL, 3/4 NPT	2	2
3	42-059-025		HOSE, 12M3K-8MPX-8MPX-90"	1	1
4	42-059-021		HOSE, 12M3K-8MP-8MPX-280"	1	1
5	42-059-003		HOSE, 12M3K-12MP-12MPX-60"	1	1
6	42-059-010		HOSE, 12M3K-12MP-12MPX-105"	1	1
7	48-090210		CAPSCREW, 3/8 X 2 1/4 G5 PLT	3	3
8	68-010150		HEX NUT, 3/8 PLT	3	3
9	66-010150		LOCKWASHER, 3/8 PLT	3	3

# RESERVOIR PLUMBING



ITEM	PART NO	SERIAL NO OR YR	DESCRIPTION	QTY	
				STD	LP
1	42-061-011		RESERVOIR (Saint Machinery)	1	1
2	42-050-017		ELBOW, 3/4 NPT	1	1
3	42-050-016		NIPPLE, 3/4 X 4 NPT	1	1
4	42-061-007		FILTER, RETURN	1	1
5	42-050-007		NIPPLE, 3/4 NPT X 1 1/2 (GALV)	2	2
6	42-050-006		TEE, 3/4 NPT (GALV)	1	1
7	08-059-006		ELL, 1/2" HYD STREET	1	1
8	42-050-004		BUSHING, 3/4X1/2 NPT	2	2
9	42-050-005		CROSS, 3/4 NPT (GALV)	1	1
10	05-050-013		SWIVEL ELL, 1/2 (GALV)	1	1
11	42-059-010		HOSE, 12M3K-12MP-12MPX-105	1	1
12	42-059-002		HOSE, 8M3K-8MPX-8MPX-220"	1	1
13	42-059-028		HOSE, 12M3K-8MP-8MPX-140"	1	1
14	42-059-020		HOSE, 12M3K-8MP-12MPX-200"	1	1
15	42-050-009		NIPPLE, 1 1/4 X 3 NPT (GALV)	1	1
16	42-061-005		BALL VALVE, 1 1/4 NPT	1	1
17	42-061-006		STRAINER, TANK	1	1
18	42-059-004		HOSE, 20G4H-20MP-20MP-88"	1	1
19	42-059-012		HOSE, 6M3K-6MP-6MPX-115"	1	1
20	07-050-009		BUSHING, 1/2-3/8 REDUCER	1	1
21	07-050-001		TEE, 1/2 NPT (GALV)	1	1
22	02-054-021		PLUG, 1/2 NPT PIPE (BLACK)	1	1

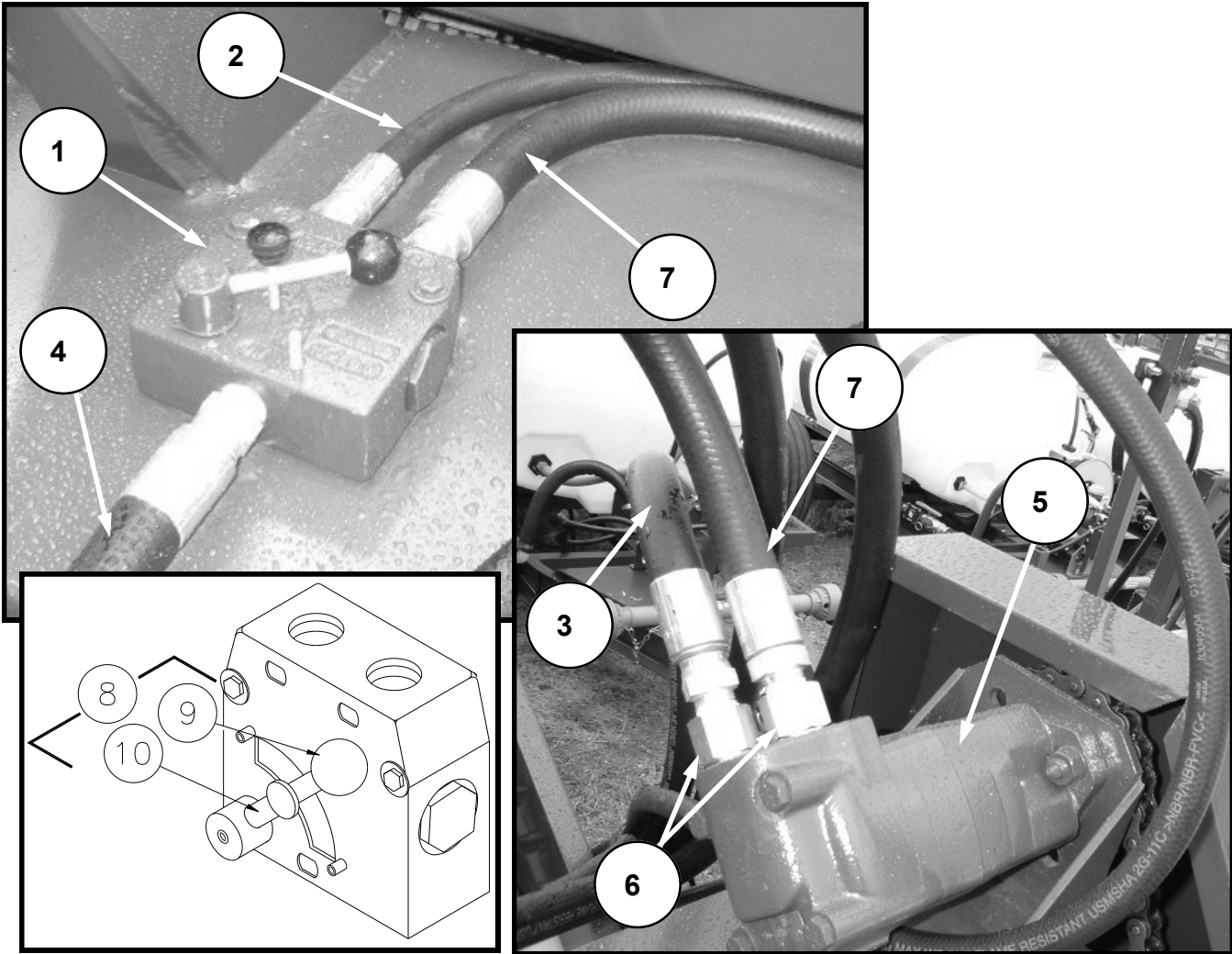
**RETURN FILTER**  
(42-061-007) (Item 4)



ITEM	PART NO	SERIAL NO OR YR	DESCRIPTION	QTY
23	42-061-060		HEAD, FILTER	1
24	42-061-059		GAUGE, PRESSURE	1
25	42-061-012		FILTER ELEMENT	1



## FLOW CONTROL & FEEDER REEL MOTOR HYDRAULICS

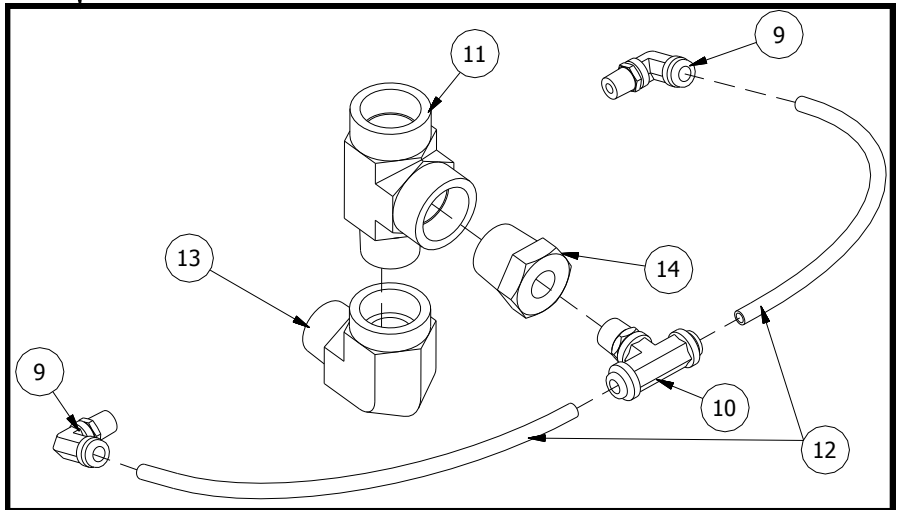
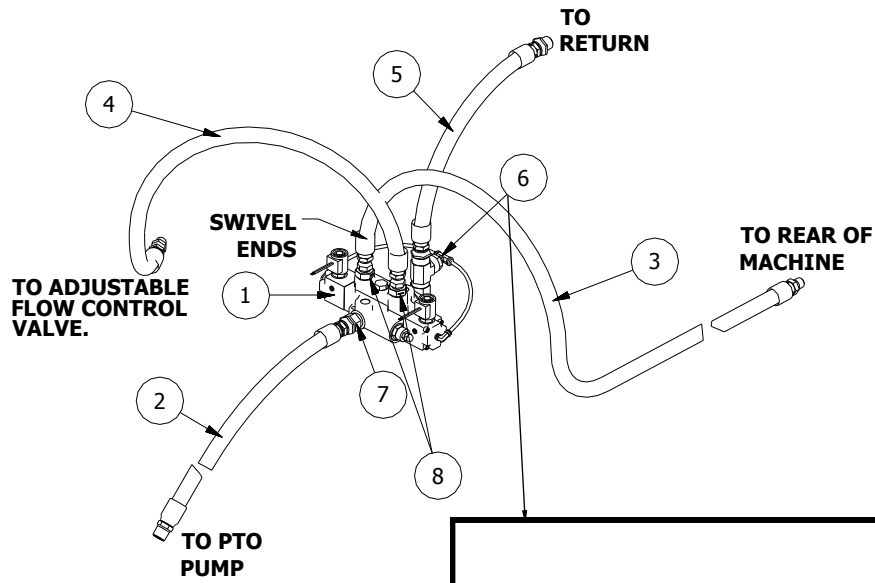


ITEM	PART NO	SERIAL NO OR YR	DESCRIPTION	QTY	
				STD	LP
1	09-061-006		VALVE , ADJ FLOW CONTROL	1	1
2	42-059-002		HOSE, 8M3K-8MPX-8MPX-220"	1	1
3	42-059-028		HOSE, 12M3K-8MP-8MPX-220"	1	1
4	42-059-025		HOSE, 12M3K-8MPX-8MPX-90"	1	1
5	42-061-003		MOTOR, HYD (FEEDER)	1	1
6	42-059-016		ADAPTER (DRIVE MOTOR)	2	2
7	42-059-029		HOSE, 12M3K-8MP-8MPX-50"	1	1

### ADJUSTABLE FLOW CONTROL VALVE (09-061-006)

ITEM	PART NO	SERIAL NO OR YR	DESCRIPTION	QTY
8	09-061-011		HANDLE, THUMBSCREW	1
9	09-061-010		KNOB, ADJUSTING	1
10	09-061-009		HANDLE, METAL ADJUSTING	1
11	09-061-012		KIT, SEAL	1

## HYDRAULIC FOR FLOOR CHAIN CONTROL HARNESS



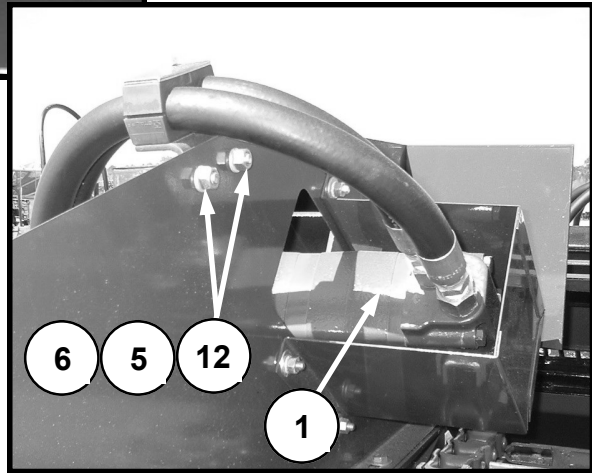
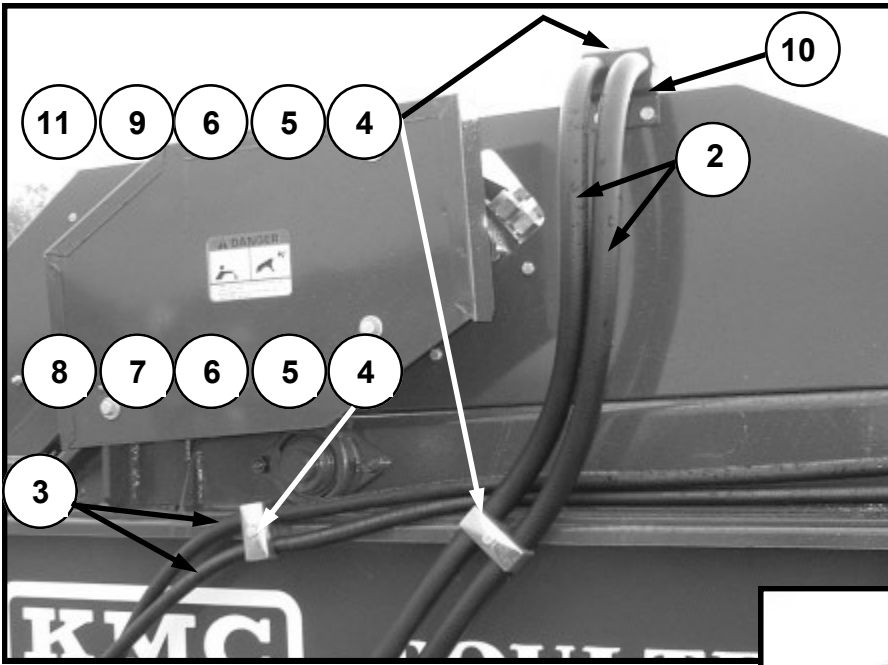
ITEM	PART NO	SERIAL NO OR YR	DESCRIPTION	QTY
1	42-061-202	( -2015)	VALVE, SINGLE SPOOL 4-WAY SOLENOID	(1)
	42-061-267	(2016- )	VALVE, SINGLE SPOOL 4-WAY SOLENOID	1
2	42-059-010		HOSE, 12M3K-12MP-12MPX-105"	1
3	42-059-104		HOSE, 12M3K-8MPX-8MPX-40"	1
4	42-059-105		HOSE, 12M3K-8MP-8MPX-220"	1
5	42-059-106		HOSE, 12M3K-12MPX-12MPX-18"	1
6	42-081-043		KIT, ELEC RETRO FLOOR	1
7	42-059-014	(2016- )	ADAPTER, 12MB-12FPX	1
8	16-059-008	(2016- )	ADAPTER, 12MB-8FP	2

### ELECTRICAL RETRO FLOOR CHAIN KIT

(42-081-043) (ITEM 6)

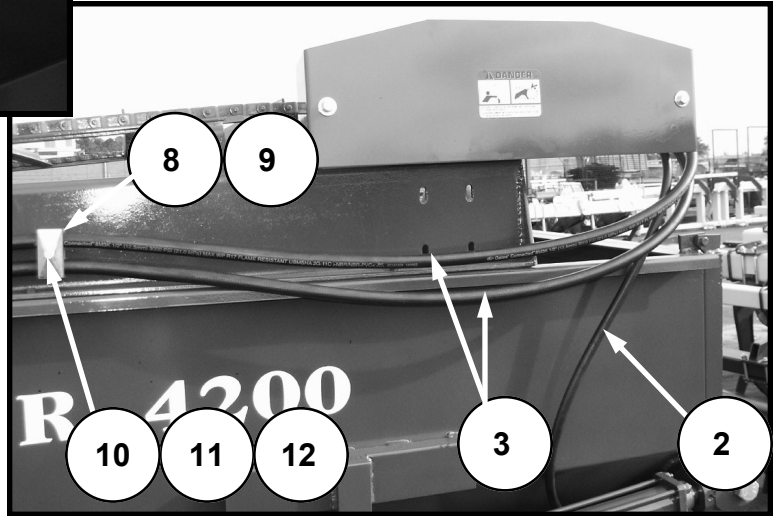
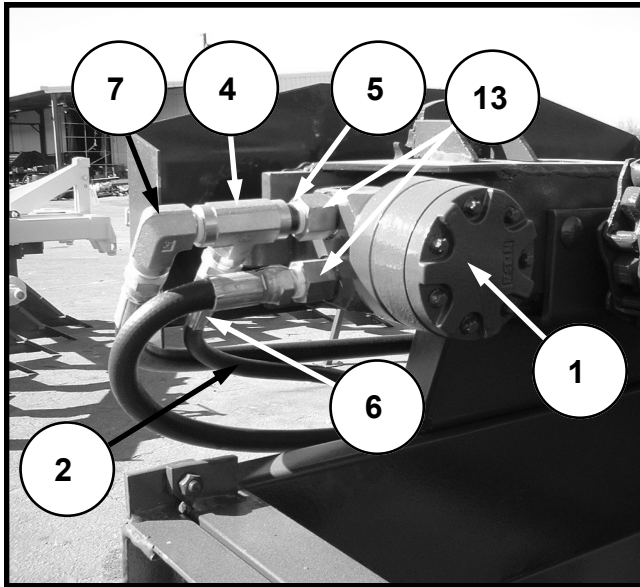
ITEM	PART NO	SERIAL NO OR YR	DESCRIPTION	QTY
9	42-059-116		ADAPTER, 4PTC-2MP-90	2
10	42-059-118		ADAPTER, 4PTC-4PTC-4MP	1
11	42-059-110		ADAPTER, 12MP-12FP-12FP	1
12	42-059-111		ADAPTER, 12MP-4FP	1
13	42-059-115		ADAPTER, 12MP-12FP-90	1
14	42-024-078		NYLON TUBING, 11"	1

## SIFTER MOTOR HYDRAULICS



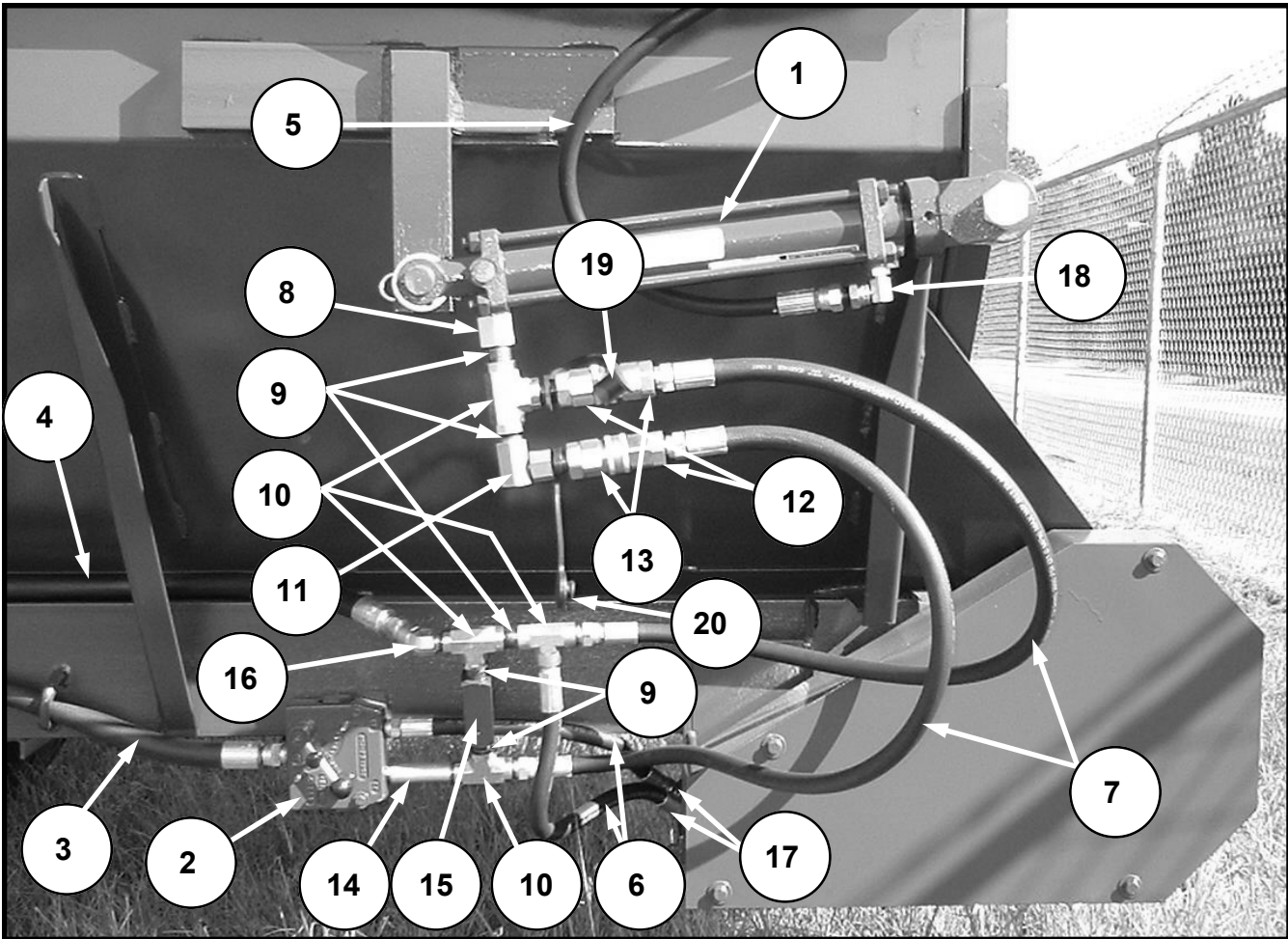
ITEM	PART NO	SERIAL NO OR YR	DESCRIPTION	QTY	
				STD	LP
1	42-061-037		MOTOR, HYDRAULIC (HD)	1	1
2	42-059-028		HOSE, 12M3K-8MP-8MPX-140"	2	2
3	42-059-002		HOSE, 8M3K-8MPX-8MPX-220"	2	2
4	48-090050		CAPSCREW, 5/16 X 2 1/2	3	3
5	66-010100		LOCKWASHER, 5/16	5	5
6	68-010100		HEX NUT, 5/16	5	5
7	33-050-246		CLAMP, HOSE	1	1
8	33-050-160		COVER PLATE	1	1
9	42-050-026		CLAMP, 3/4" HOSE	2	2
10	42-023-204		SUPPORT, HOSE BRACKET	1	1
11	42-050-027		PLATE, COVER	2	2
12	48-090043		CAPSCREW, 5/16 X 3/4	2	2

## LEVELER MOTOR HYDRAULICS



ITEM	PART NO	SERIAL NO OR YR	DESCRIPTION	QTY	
				STD	LP
1	42-061-153		MOTOR, HYDRAULIC (HD)	1	1
2	42-059-011		HOSE, 6M3K-6MP-8MPX-36"	1	1
3	42-059-002		HOSE, 8M3K-8MPX-8MPX-220"	1	1
4	07-050-001		TEE, 1/2" NPT	2	2
5	07-050-002		NIPPLE, 1/2 X 1 1/2 NPT	1	1
6	07-059-002		UNION RESTRICT, ADAPTOR	1	1
7	08-059-006		ELL, 1/2" HYD STREET	1	1
8	33-050-246		CLAMP, HOSE	1	1
9	33-050-160		COVER PLATE	1	1
10	48-090050		CAPSCREW, 5/16 X 2 1/2	1	1
11	66-010100		LOCKWASHER, 5/16	1	1
12	68-010100		HEX NUT, 5/16	1	1
13	42-059-016		ADAPTER, 10MB-8FP	2	2

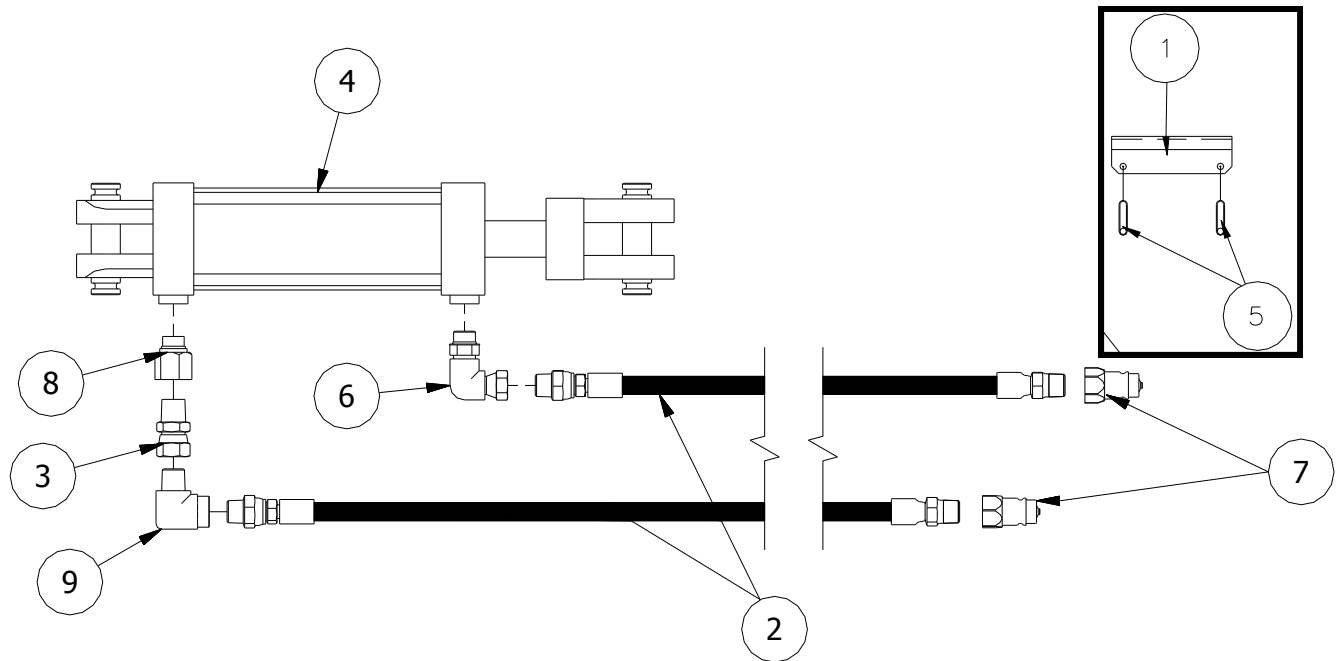
## REAR TANK DOOR PLUMBING



ITEM	PART NO	SERIAL NO OR YR	DESCRIPTION	QTY	
				STD	LP
1	42-061-271		CYLINDER, 2 X 16 X 1 .125	1	-
	42-061-272		CYLINDER, 2 X 10 X 1.125	-	1
2	09-061-006		VALVE, ADJ FLOW CONTROL	1	1
3	42-059-021		HOSE, 12M3K-8MP-8MPX-280"	1	1
4	42-059-020		HOSE, 12M3K-8MP-12MPX-200"	1	1
5	33-059-001		HOSE, 6M3K-8MP-8MPX-36"	1	1
6	42-059-007		HOSE, 8M3K-8MP-8MPX-20"	2	2
7	42-059-006		HOSE, 8M3K-8MP-8MPX-45"	2	2
8	21-061-028		ADAPTER, 8MB-8FP	1	1
9	07-050-002		NIPPLE, 1/2" X 1 1/2" NPT	6	6
10	07-050-001		TEE, 1/2" NPT	4	4
11	08-059-006		ELL, 1/2" HYD STREET	1	1
12	42-061-042		HYDRAULIC NIPPLE, 1/2" NPT	2	2

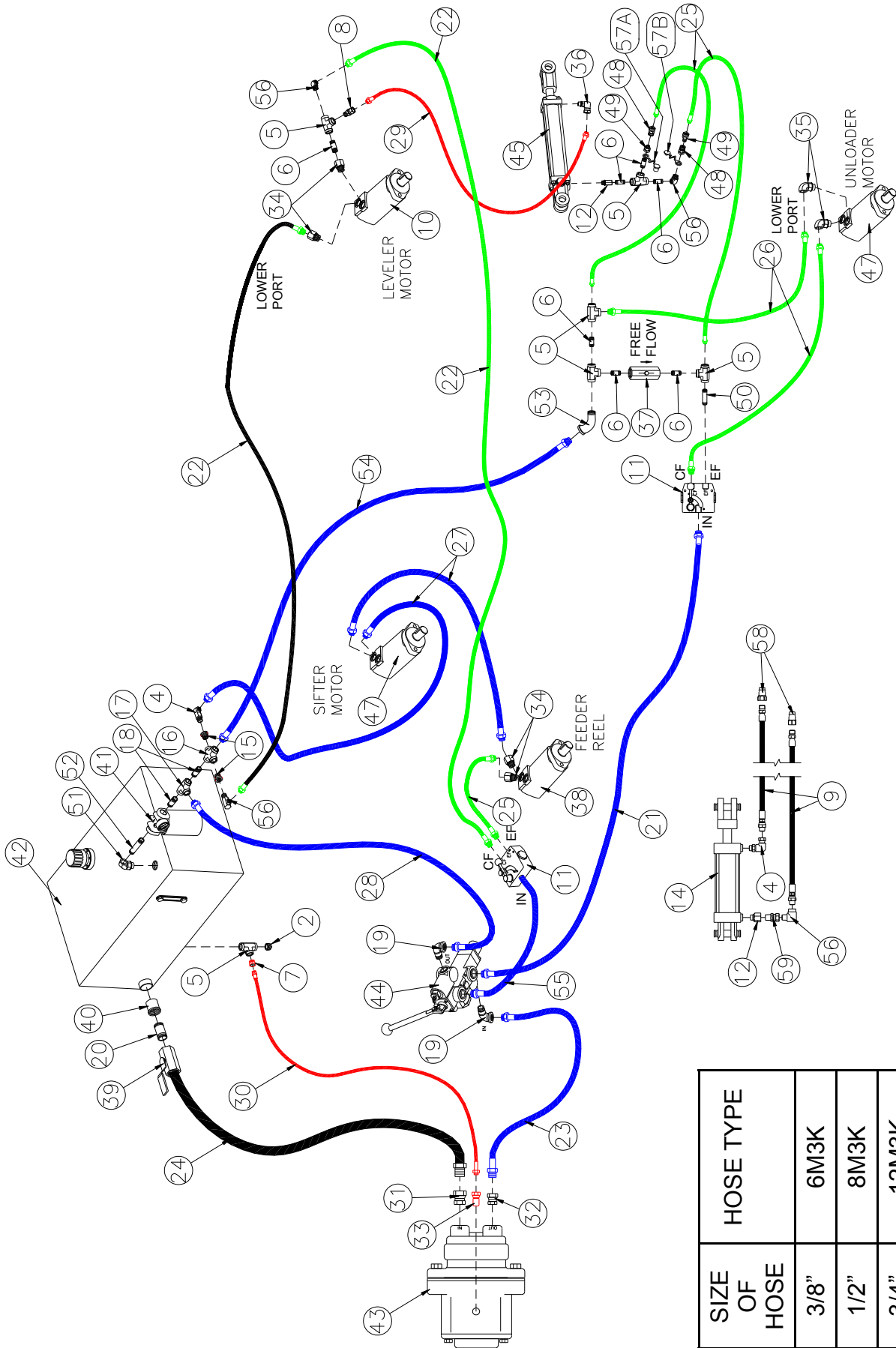
ITEM	PART NO	SERIAL NO OR YR	DESCRIPTION	QTY	
				STD	LP
13	42-061-041		HYDRAULIC COUPLER	2	2
14	42-050-018		NIPPLE, 1/2 X 4 NPT	1	1
15	42-061-002		VALVE, CHECK	1	1
16	42-050-020		ELL, 45° STREET (1/2 NPT)	1	1
17	42-059-017		ADAPTER (UNLOADER MOTOR)	2	2
18	42-059-022		ADAPTER, 8MB-8FPX - 90°	1	1
19	42-061-066		CAP, HYD COUPLER	1	1
20	42-061-067		PLUG, HYD COUPLER	1	1

### TONGUE CYLINDER AND HOSES



ITEM	PART NO	SERIAL NO OR YR	DESCRIPTION	QTY
1	42-027-050		LOCK, CYLINDER	1
2	07-059-003		HOSE, 3/8" X 100" HYDRUALIC	2
3	21-059-002		RESTRICTOR, 8MP-8FPX .062	1
4	33-061-203		CYLINDER, 3X6X1.25 HYD	1
5	21-050-012		SNAP PIN, 3/8 X 2 3/4	2
6	42-059-022		ADAPTER, 8MB-8FPX-90	1
7	47-059-002		QUICK COUPLER, 1/2" NPTF MALE	2
8	21-061-028		ADAPTER, 8MB-8FP	1
9	08-059-006		ADAPTER, 8MP-8FP-90	1

# 4250 PLUMBING SCHEMATIC



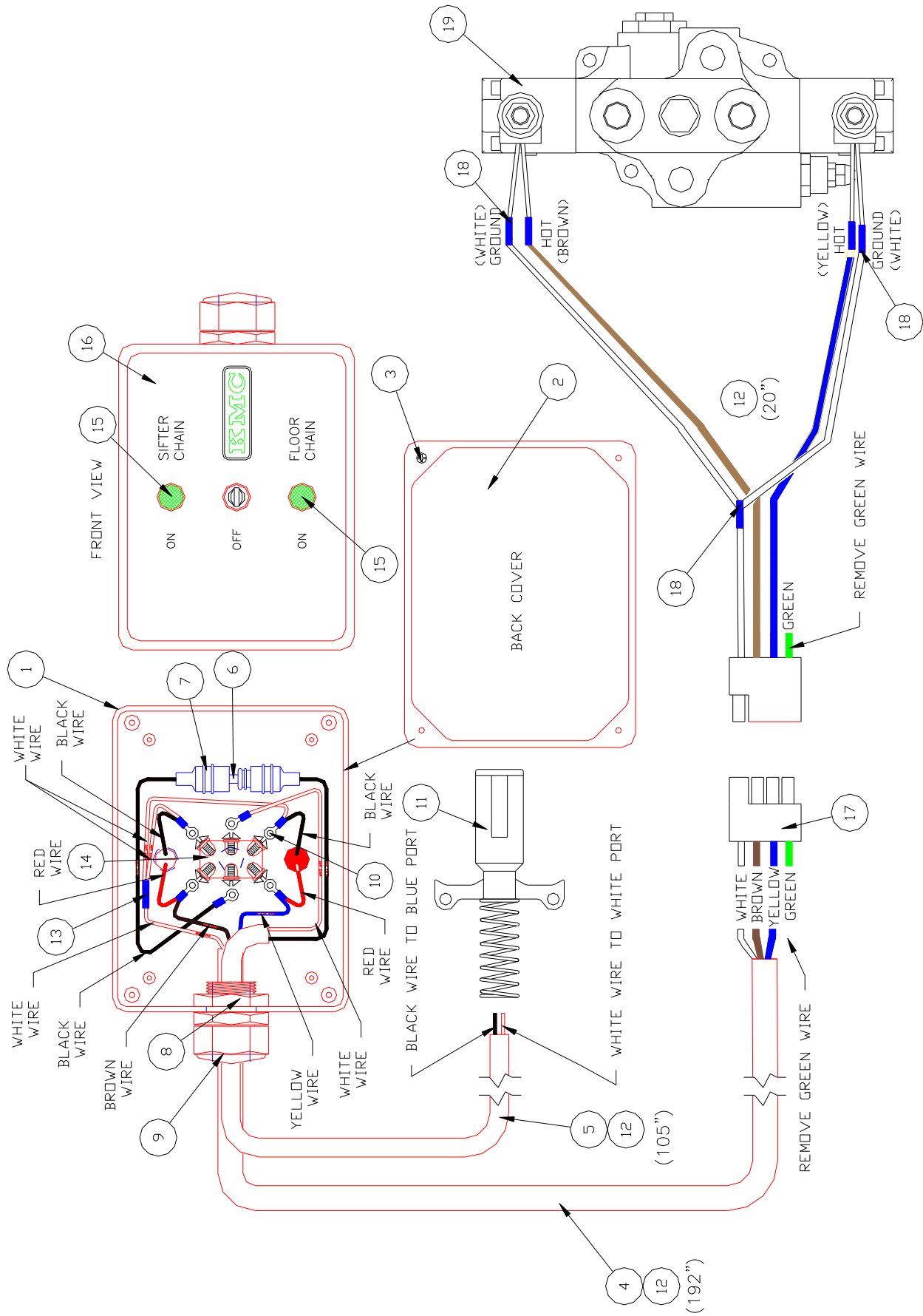
SIZE OF HOSE	HOSE TYPE
3/8"	6M3K
1/2"	8M3K
3/4"	12M3K
1 1/4"	20M3K

ITEM	PART NO	SERIAL NO OR YR	DESCRIPTION	QTY
1	02-050-088		STRAP, TIE DOWN	4
2	02-054-021		PLUG, 1/2 NPT PIPE	1
4	42-059-022		ADAPTER, 8MP-8FPX-90°	3
5	07-050-001		TEE, 1/2 NPTF	6
6	07-050-002		NIPPLE, 1/2 X 1 1/2 NPT	7
7	07-050-009		BUSHING, 1/2-3/8 REDUCER	1
8	07-059-002		RESTRICTOR, 8MP-8FPX-.052	1
9	07-059-003		HOSE, 6M3K-8MP-8MPX-100"	2
10	42-061-153		MOTOR, HYD (LEVELER)	1
	42-061-028		SEAL KIT	1
11	09-061-006		VALVE, ADJ FLOW CONTROL	2
12	42-059-024	( -2013)	ADAPTOR, 6MB-8FP	(1)
	21-061-028	(2014- )	ADAPTOR, 8MB-8FP	2
13	33-050-154		OIL, HYDRAULIC (GALLON)	25
14	33-061-120	( -2013)	CYLINDER, HYDRAULIC	(1)
	33-061-203	(2014- )	CYLINDER, 3X6X1.25 HYD	1
15	42-050-004		BUSHING, 3/4-1/2 REDUCER	2
16	42-050-005		CROSS, 3/4 NPT	1
17	42-050-006		TEE, 3/4 NPT	1
18	42-050-007		NIPPLE, 3/4 NPT X 1 1/2	2
19	42-050-008		STREET ELL, 3/4 NPT	2
20	42-050-009		NIPPLE, 1 1/4 X 3 NPT	1
21	42-059-021		HOSE, 12M3K-8MP-8MPX-280"	1
22	42-059-002		HOSE, 8M3K-8MPX-8MPX-220"	2
23	42-059-003		HOSE, 12M3K-12MP-12MPX-60	1
24	42-059-004		HOSE, 20G4H-20MP-20MP-88"	1
25	42-059-006		HOSE, 8M3K-8MP-8MPX-45"	3
26	42-059-007		HOSE, 8M3K-8MP-8MPX-20"	2
27	42-059-028		HOSE, 8M3K-8MPX-8MPX-140"	2
28	42-059-010		HOSE, 12M3K-12MP-12MPX-105	1
29	42-059-011	( -2013)	HOSE, 6M3K-6MP-8MPX-36"	(1)
	33-059-001	(2014- )	HOSE, 6M3K-8MP-8MPX-36"	1
30	42-059-012		HOSE, 6M3K-6MP-6MPX-115"	1
31	42-059-013		ADAPTER (PUMP SUCTION)	1
32	42-059-014		ADAPTER (PUMP PRESSURE)	1

ITEM	PART NO	SERIAL NO OR YR	DESCRIPTION	QTY
33	42-059-015		ADAPTER (PUMP DRAIN)	1
34	42-059-016		ADAPTER, 10MB-8FP	4
35	42-059-017		ADAPTER (UNLOAD MOTOR)	2
36	42-059-015	( -2013)	ADAPTER, 6MB-6FPX-90°	(1)
	42-059-022	(2014- )	ADAPTER, 8MB-6FPX-90°	1
37	42-061-002		VALVE, CHECK	1
38	42-061-003		MOTOR, HYD (FEEDER REEL)	1
	42-061-033		SEAL KIT	1
39	42-061-005		BALL VALVE, 1 1/4 NPT	1
40	42-061-006		STRAINER, TANK	1
41	42-061-007		FILTER, RETURN	1
	42-061-012		FILTER ONLY	1
42	42-061-011		RESERVOIR	1
43	42-061-013		PUMP, PTO	1
	42-061-038		SEAL KIT	1
44	42-061-014		CONTROL VALVE, SINGLE	1
	42-061-034		SEAL KIT	1
45	42-061-112	( -2013)	CYLINDER, 2 X 16	(1)
	42-061-271	(2014- )	CYLINDER, 2X16X1.125	1
	42-061-113	( -2013)	CYLINDER, 2 X 10 (L.P.)	(1)
	42-061-272	(2014- )	CYLINDER, 2X10X1.125	1
47	42-061-037		HYD MOTOR (UNLOADER)	2
	42-061-033		SEAL KIT	1
48	42-061-041		HYDRAULIC COUPLER, 1/2 NPT	2
49	42-061-042		HYD NIPPLE, 1/2 NPT	2
50	42-050-018		NIPPLE, 1/2 X 4 NPT	1
51	42-050-017		ELBOW, 3/4 NPT	1
52	42-050-016		NIPPLE, 3/4 X 4 NPT	1
53	42-050-020		ELBOW, 1/2 NPT - 45°	1
54	42-059-020		HOSE, 12M3K-8MP-12MPX-200"	1
55	42-059-025		HOSE, 12M3K-8MPX-8MPX-90"	1
56	08-059-006		ADAPTER, 8MP-8FP-90°	3
57	42-061-268	( -2013)	PLUG, HYD CP FEMALE-MALE	(2)
57A	42-061-066	(2014- )	CAP. HYD COUPLER	1
57B	42-061-067	(2014- )	PLUG, HYD COUPLER	1
58	47-059-002		QUICK DISCONNECT	2
59	21-059-002		RESTRICTOR, 8MP-8FPX-062	1

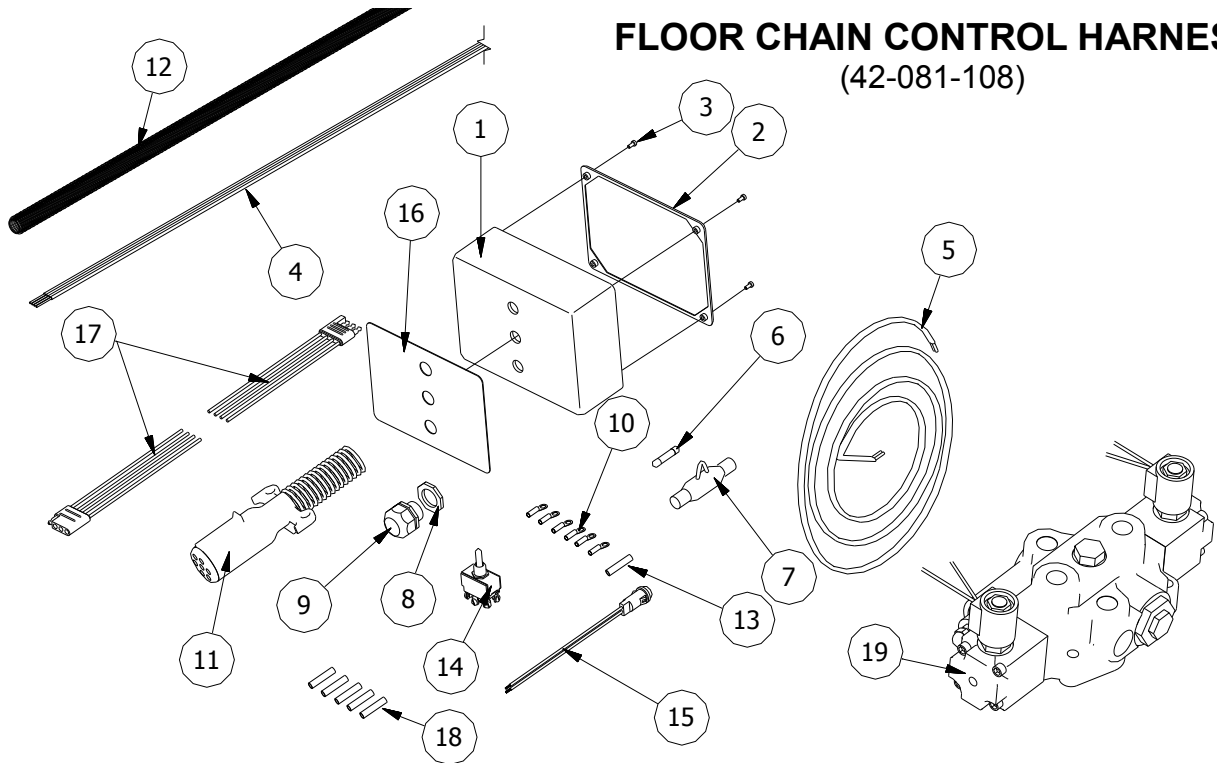


# WIRING SCHEMATIC FOR FLOOR CHAIN CONTROL HARNESS



# FLOOR CHAIN CONTROL HARNESS

(42-081-108)



ITEM	PART NO	SERIAL NO OR YR	DESCRIPTION	QTY
1	42-050-082		BOX, FLOOR CHAIN CONTROL	1
2	42-050-080	( -2014)	COVER, ELECTRONICS BOX	(1)
	33-050-145	(2015- )	COVER, INSTRUMENT	1
3	54-030100	( -2014)	PHILLIPS MACHINE SC, #4 X 1/4 FLAT HD	(4)
	54-030050	(2015- )	METAL SCREW, #4 X 1/2	4
4	33-062-003		WIRE, 16/4 PARALLEL 1	192"
5	33-062-065		CABLE, 16/2 PRIMARY 1	105"
6	20-062-007		FUSE, 5A	1
7	20-062-013		HOLDER, WATERPROOF FUSE	1
8	20-062-015		LOCKNUT, 3/4 NPT	1
9	20-062-014		RELIEF, STRAIN	1
10	33-062-020		TERMINAL, #10 RING	6
11	33-062-007		PLUG, 7-WAY	1
12	33-062-035		PLASTIC LOOM, 1/2 ID SPLIT 1	20"
				105"
				192"
13	33-062-059		BUTT CONNECTOR, MOIST RES	1
14	42-062-002		TOGGLE, ON-OFF-ON	1
15	42-062-003		L.E.D., 1/2" GREEN	1
16	42-050-083		DECAL, FLOOR CHAIN CONTROL	1
17	33-062-002		CONNECTOR, MOLDED CIRCUIT	1
18	33-062-006		CONNECTOR, BUTT	5
19	42-061-202		VALVE, SINGLE SPOOL 4-WAY SOLENOID	1

The following is a list of serial numbers issued to our machines at the beginning of each year. To determine when a unit was made, find the range within which the particular serial number falls. It would have been produced between January 1 to December 31 of that year.

<b>YEAR</b>	<b>SERIAL NUMBERS</b>
1985	27986-29695
1986	29696-31095
1987	31096-33234
1988	33235-35548
1989	35549-38496
1990	38497-41771
1991	41772-44466
1992	44467-47001
1993	47002-48750
1994	48751-51549
1995	51551-54262
1996	54263-56661
1997	56662-59465
1998	59466-62097
1999	62098-63986
2000	63987-65692
2001	65693-67340
2002	67341-68699
2003	68700-70482
2004	70483-72646
2005	72647-74866
2006	74867-76368
2007	76369-77883
2008	77884-79891
2009	79892-80944
2010	80945-81775
2011	81776-83453
2012	83454-85092
2013	85093-86418
2014	86419-87790
2015	87791-89096
2016	89097-



**DEPENDABLE EQUIPMENT FOR PROGRESSIVE FARMING**

*Visit us at [www.kelleymfg.com](http://www.kelleymfg.com)*



**KELLEY MANUFACTURING CO.**



80 Vernon Drive / Zip 31794  
P.O. Drawer 1467 / Zip 31793  
Tifton, GA

Tel: 229-382-9393  
Toll Free: 1-800-444-5449  
Fax: 229-382-5259

**MADE IN AMERICA**

Email Address: [info@kelleymfg.com](mailto:info@kelleymfg.com)